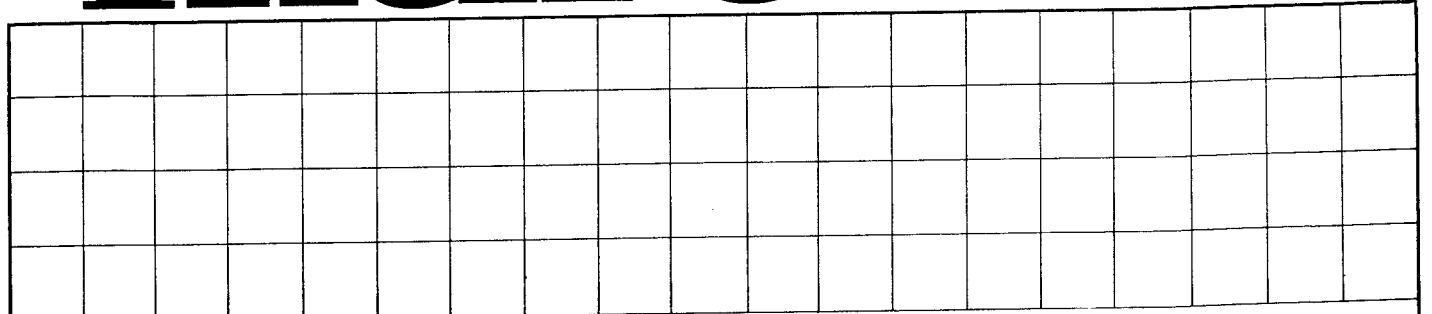


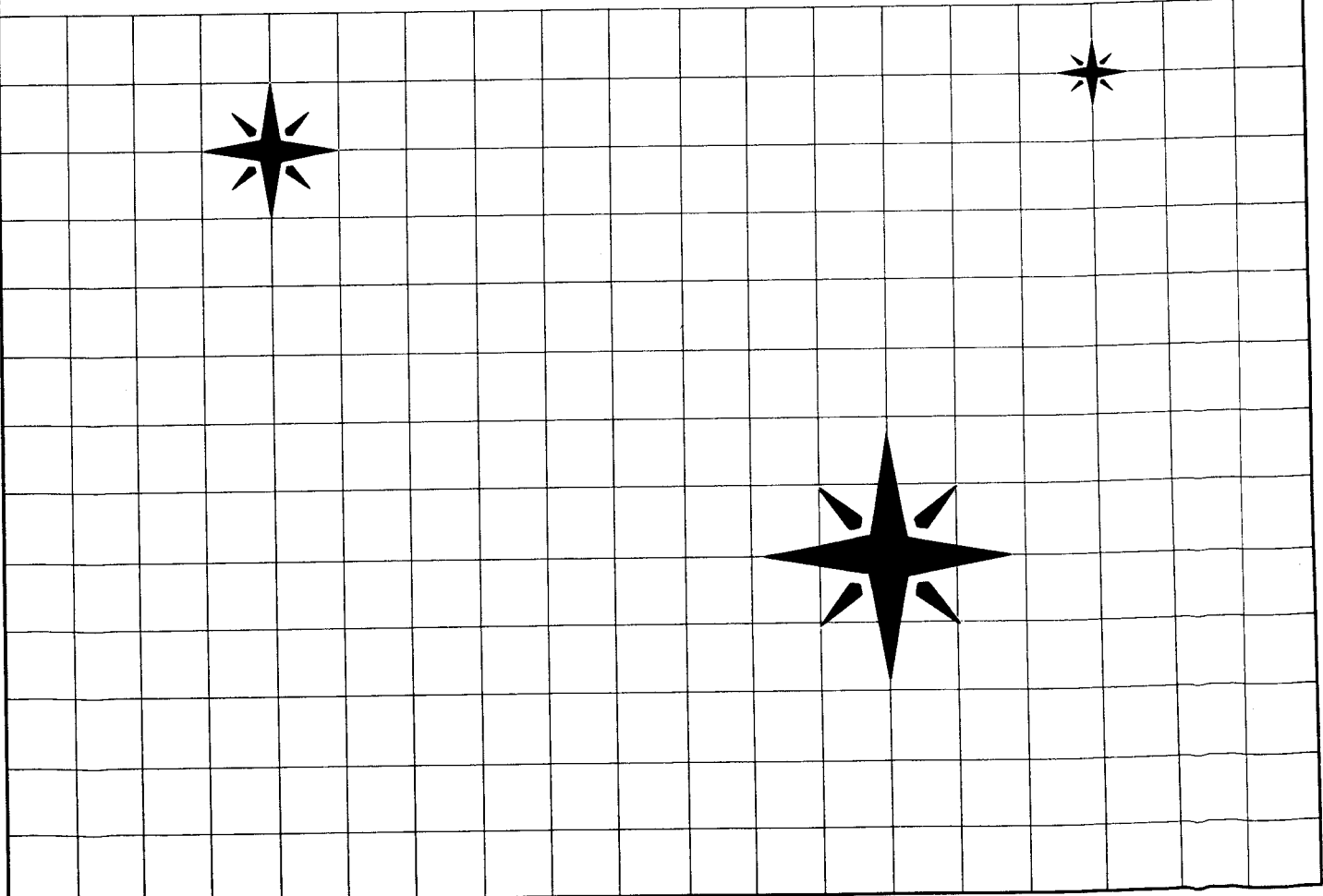
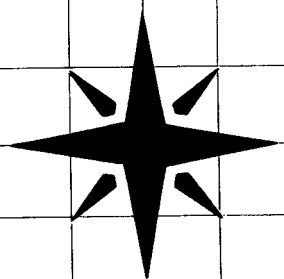
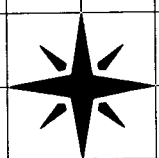
marantz®



SERVICE DATA

Pm-8
CONSOLE STEREO AMPLIFIER

St-8
QUARTZ STEREO TUNER



Pm-8

3~19

St-8

21~38

Pm-8目次

規格	3
分解図およびパーツリスト	4
{C01-99} FRONT PANEL	4
{C02-99} TOP COVER	5
{C03-99} REAR PANEL	6
{P01-99} FRONT CHASSIS AND GENERAL PARTS	7
{P02-99} MAIN CHASSIS AND OTHER PARTS	8
{P03-99} MAIN AMP P.W. BOARD AND HEATSINK	9
{H01-99} PACKING MATERIALS	10
電気部品リスト	11~19

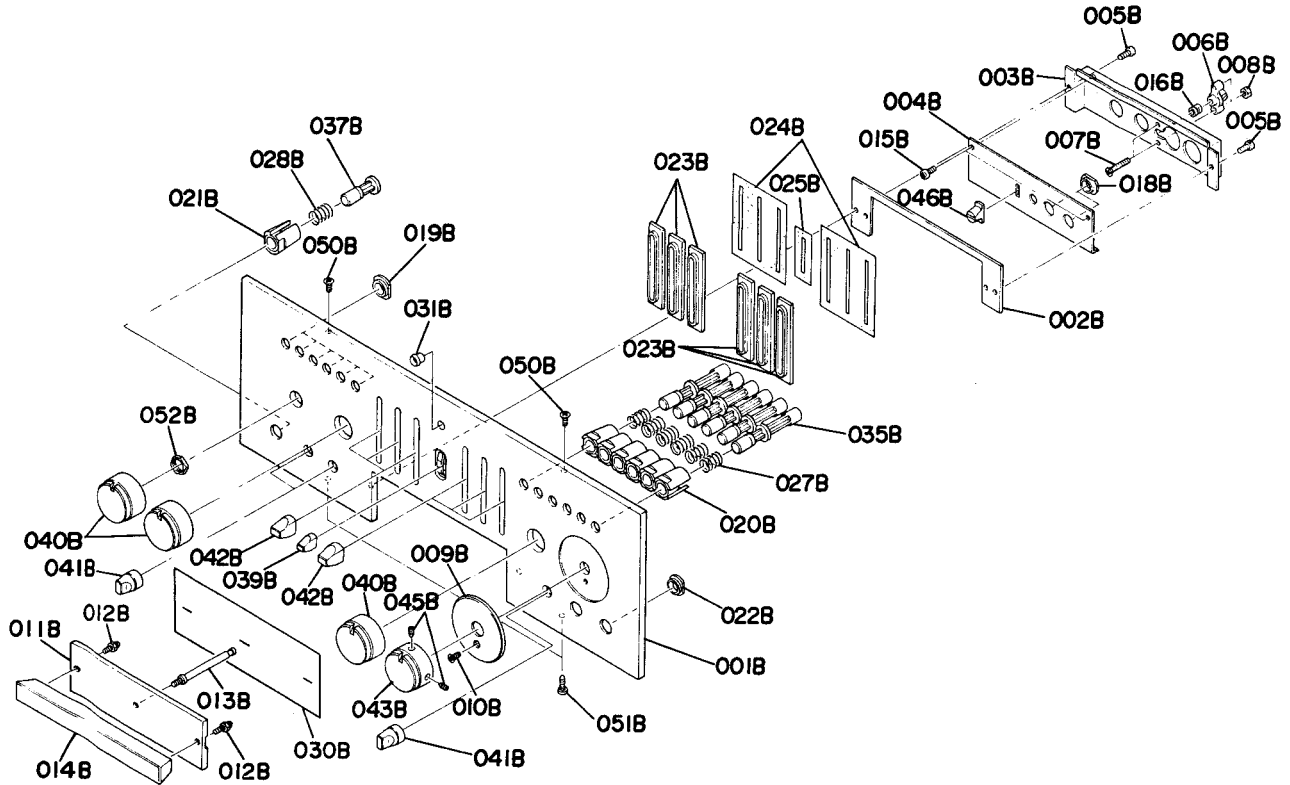
Pm-8規格

定格出力 (20Hz~20kHz両ch同時駆動)	150W × 2 (8Ω負荷) 190W × 2 (4Ω負荷)
出力帯域幅 (8Ω負荷、THD0.05%)	5Hz~100kHz
全高調波歪率 (20Hz~20kHz, 8Ω負荷)	0.01%以下
混変調歪率	0.01%以下
周波数特性 (20Hz~20kHz)	+0, -0.2dB (+0, -1dB)
ダンピングファクター (8Ω負荷)	100以上
入力感度及びインピーダンス (メインアンプ入力)	1.5V/80kΩ
フォノ 1・2 (MM)	2mV/1k/10k/27k/47k/100kΩ
フォノ 1 (MC)	200μV/10/47/100/220Ω
高レベル	150mV/40kΩ
定格出力及びインピーダンス (PRE OUT)	1.5V/100Ω
(TAPE OUT)	150mV/250Ω
RIAA偏差 (20Hz~20kHz)	±0.2dB
入力等化雑音 (フォノ・IHF-A)	0.24μV
ダイナミックレンジ (フォノ)	120dB
トーンコントロール特性 (低域100Hz)	±10dB
(中域800Hz)	±6dB
(高域10kHz)	±10dB
フィルター特性 (HI)	9kHz/18dB <i>o.ct.</i>
(LOW)	15Hz/18dB <i>o.ct.</i>
その他	
電 源	100V 50/60Hz
消費電力 (最大出力時)	850W
(電気用品取締法)	400W
外形寸法 (W・H・D)	416 × 146 × 437mm
重 量 (セット単体)	26kg

※本機の規格および外観は改良のため予告なく変更することがありますが、ご了承ください。

分解図およびパーツリスト

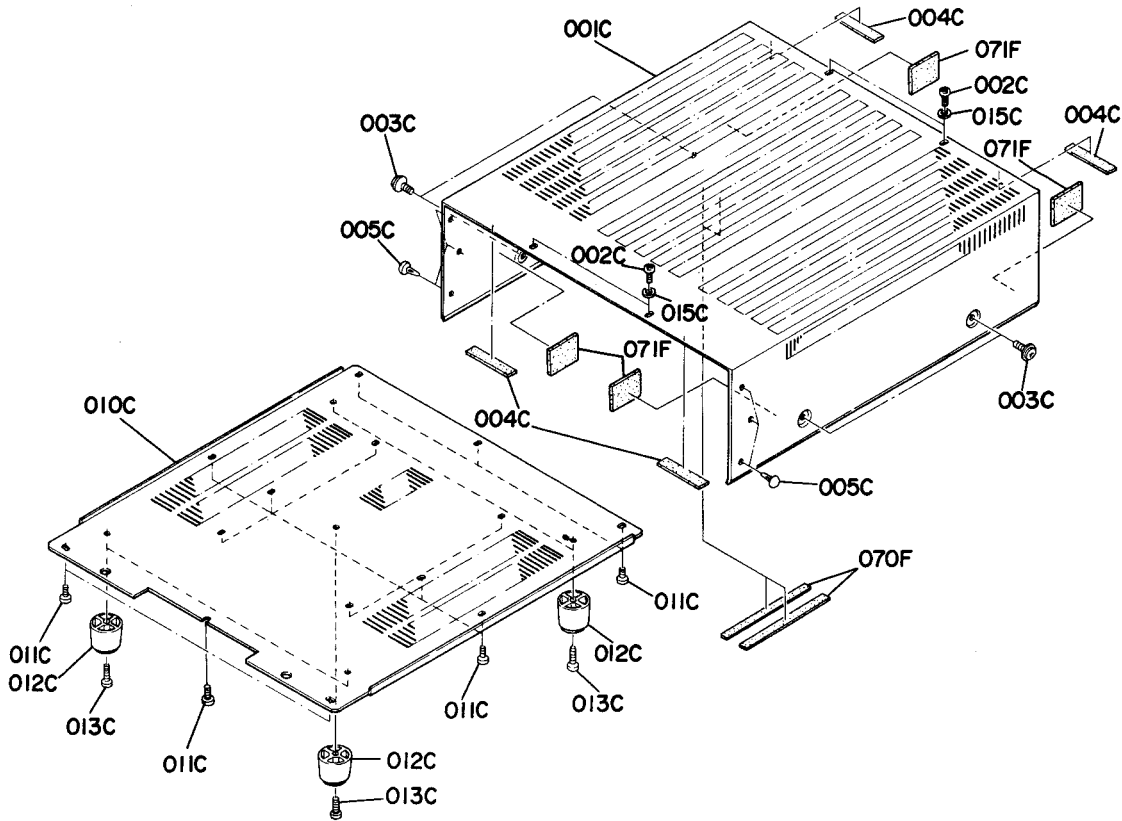
[C01-99] FRONT PANEL



REF. DESIG.	QTY	PART NO.	DESCRIPTION
	F		
A	1	2463063400	Front Panel Assembly
001B	1	2463063010	Escutcheon
002B	1	2461063030	Escutcheon
003B	1	2462160020	Bracket
004B	1	2463063020	Escutcheon
005B	2	51100306A9	B.H.M. Screw B3 x 6
006B	1	2461271010	Holder
007B	2	51042610A0	F.H.M. Screw F2.6 x 10
008B	2	53112603A0	Hexagon Nut
009B	1	2463063030	Escutcheon
010B	1	51500306B0	F.H. TAPT. Screw F3 x 6
015B	2	51100204E9	B.H.M. Screw B2 x 4
016B	1	1143259010	Bushing
018B	2	2491259010	Bushing
019B	6	2491259010	Bushing
020B	6	2979259013	Bushing
021B	1	2979259013	Bushing, Phono 1
022B	1	2978259012	Bushing, Power Switch
023B	6	2970259010	Bushing, Tone VR
024B	2	2462303010	Mask, Tone VR
025B	1	2462303020	Mask, Tape EQ
027B	6	2979115010	Spring
028B	1	2979115010	Spring
031B	1	2979259022	Bushing, LED
035B	6	2462154010	Knob
037B	1	2462154030	Knob, Phono 1

REF. DESIG.	QTY	PART NO.	DESCRIPTION
	F		
B	1	2461063410	Pocket Cover Assembly
011B	1	2461063050	Escutcheon
012B	2	2461254010	Pin
013B	1	2461254020	Pin
014B	1	2461253010	Handle
030B	1	2461107010	Sheet
039B	1	2462154050	Knob, Tape EQ
040B	3	2462154060	Knob
041B	3	2462154070	Knob
042B	6	2462154080	Knob, Tone VR
043B	1	2462154090	Knob, Volume
045B	2	51690306Q0	Socket Screw, HP
046B	1	2462154100	Knob
050B	2	51340305B0	F.H. Tapped Screw F3 x 5
051B	2	51280306B0	B.H. Tapped Screw B3 x 6
052B	1	53118129G0	Hexagon Nut

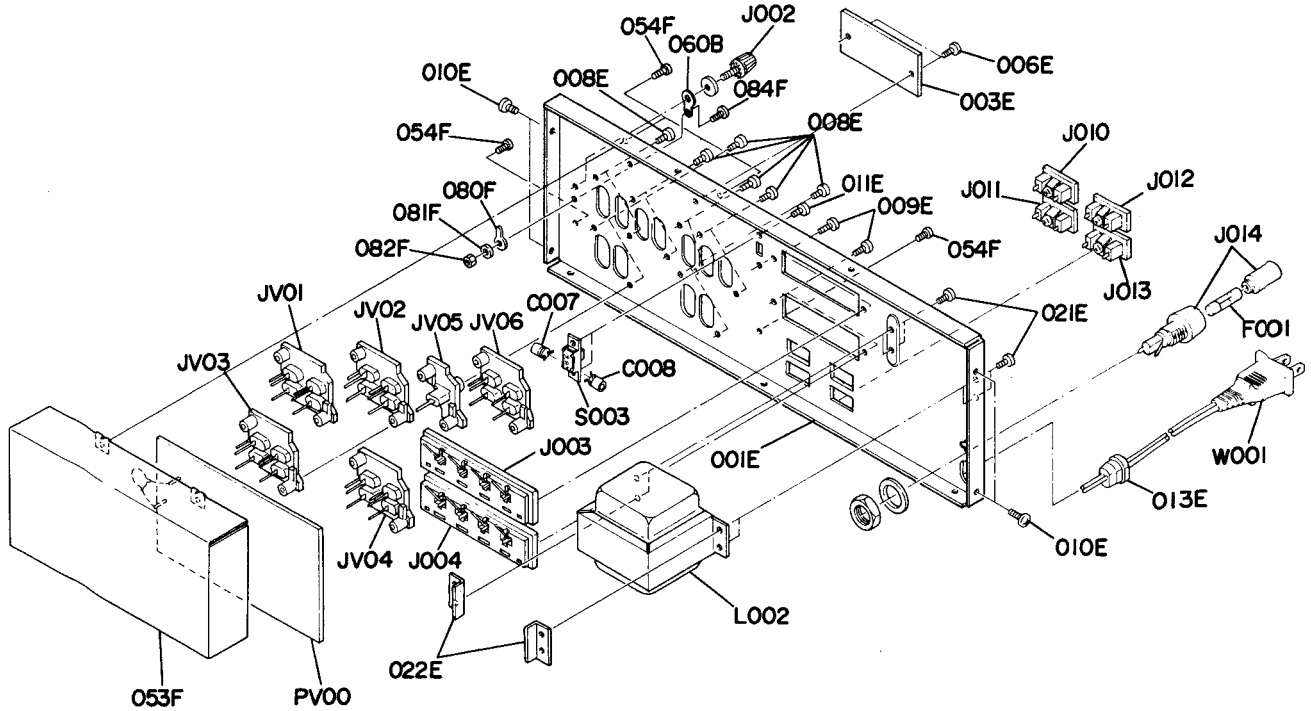
[C02-99] TOP COVER



REF. DESIG.	Q'TY	PART NO.	DESCRIPTION
	F		
001C	1	2463257010	Lid, Top Cover
002C	4	51280308U0	B.H. Tapped Screw B3 x 8
003C	4	51480406S9	F. Washer Screw F4 x 6
004C	4	2965118010	Spacer
005C	6	2991259010	Bushing
010C	1	2463257020	Lid, Buttom Cover
011C	14	51280408U0	B.H. Tapped Screw B4 x 8
012C	5	2759057010	Leg
013C	5	51570410S0	P. Tapped Screw P4 x 10
015C	4	59030805P1	Washer

REF. DESIG.	Q'TY	PART NO.	DESCRIPTION
	F		
070F	4	2979056010	Buffer
071F	4	2979056020	Buffer

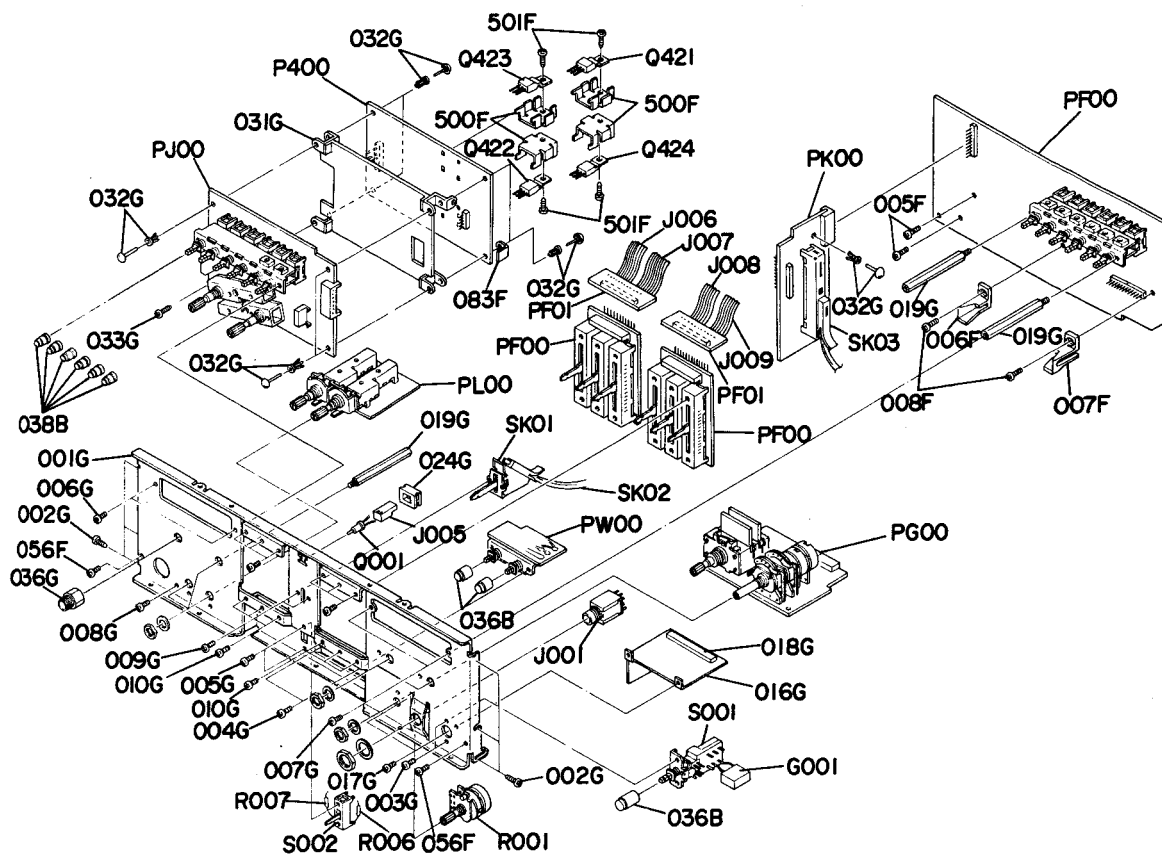
[C03-99] REAR PANEL



REF. DESIG.	Q'TY F	PART NO.	DESCRIPTION
001E	1	2463160210	Bracket, Rear Panel
003E	1	2463265010	Indicator
006E	2	51760306B0	OS Tapped Screw
008E	12	51280308U0	B.H. Tapped Screw B3 x 8
009E	4	51280308U0	B.H. Tapped Screw B3 x 8
010E	4	51280308U0	B.H. Tapped Screw B3 x 8
011E	2	51100306S9	B.H.M. Screw B3 x 6
013E	1	1455259090	Bushing
021E	4	51100408S9	B.H.M. Screw B4 x 8
022E	2	2990104070	Retainer
053F	1	2990053020	Cover
054F	4	51280306U0	B.H. Tapped Screw B3 x 6
080F	1	62030049W0	Lug
081F	1	54040302N0	Spring Washer
082F	1	53110303E9	Hexagon Nut
084F	1	51100308B9	B.H.M. Screw B3 x 8
060B	1	2211123110	Contactator

REF. DESIG.	Q'TY F	PART NO.	DESCRIPTION
C007	1	EQ10601610	Elect Cap. 10μF 16V
C008	1	EQ10601610	Elect Cap. 10μF 16V
F001	1	FS11000030	Fuse 10A 250V
J002	1	YL03010240	Terminal, Ground
J003	1	YT03040160	Terminal, System 1
J004	1	YT03040160	Terminal, System 2
J010	1	YJ04000560	Jack, AC Outlet
J011	1	YJ04000560	Jack, AC Outlet
J012	1	YJ04000560	Jack, AC Outlet
J013	1	YJ04000560	Jack, AC Outlet
J014	1	YJ08000230	Jack, Fuse Holder
S003	1	SS02020380	Slide Switch, AC-DC
L002	1	TS16616030	Power Transformer
W001	1	YC02400180	A.C. Power Cord
PV00	1	YF29780020	P.W. Board, RCA Pin Jack
JV01	1	YT02040290	Terminal, Phono 1, 2
JV02	1	YT02040200	Terminal, Tuner/AUX
JV03	1	YT02040200	Terminal, Tape 1 IN/OUT
JV04	1	YT02040200	Terminal, Tape 2 IN/OUT
JV05	1	YT02020190	Terminal, Scope Out
JV06	1	YT02040220	Terminal, Pre Out/Main IN

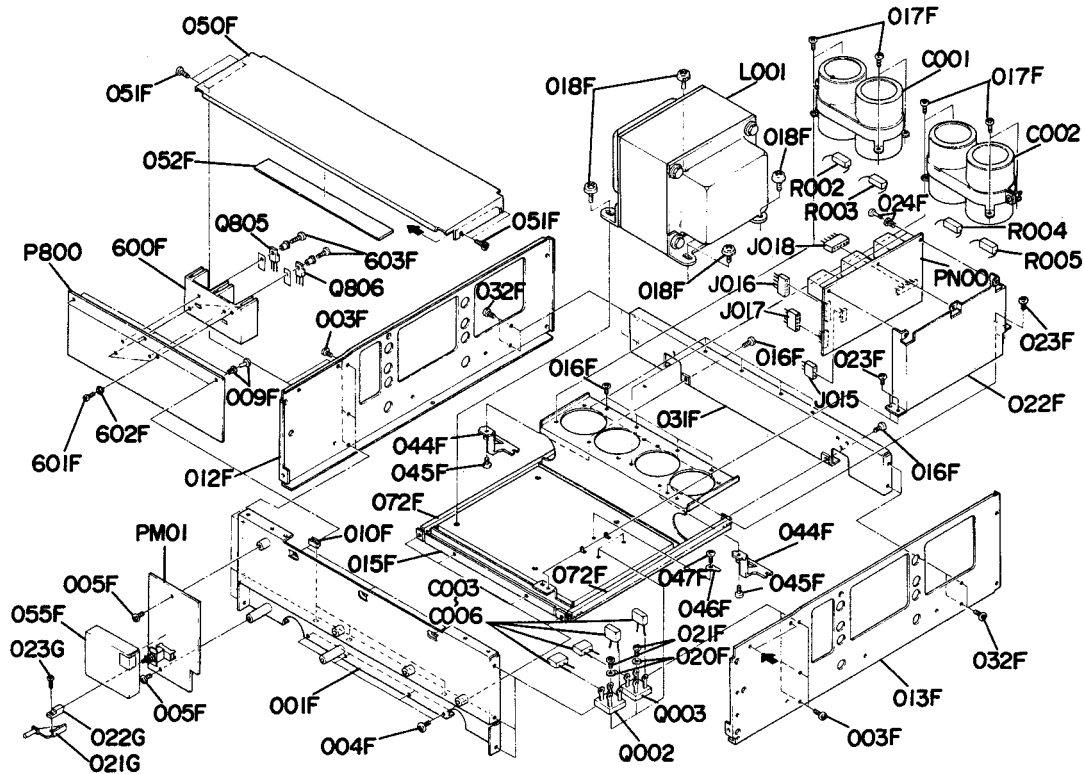
[P01-99] FRONT CHASSIS AND GENERAL PARTS



REF. DESIG.	Q'TY	PART NO.	DESCRIPTION
	F		
036B	3	2462154020	Knob
038B	6	2462154040	Knob
005F	2	51280306B0	B.H. Tapped Screw B3 x 6
006F	1	2978051010	Guide
007F	1	2978051110	Guide
008F	2	51280310B0	B.H. Tapped Screw B3 x 10
056F	2	51280308B0	B.H. Tapped Screw B3 x 8
083F	1	2978120080	Insulator
500F	4	2963267020	Heatsink
501F	4	51280306B0	B.H. Tapped Screw B3 x 6
001G	1	2462160010	Bracket, Front Chassis
002G	6	51280308B0	B.H. Tapped Screw B3 x 8
003G	2	51100306A9	B.H.M. Screw B3 x 6
004G	2	51100306A9	B.H.M. Screw B3 x 6
005G	2	51102604A0	B.H.M. Screw B2.6 x 4
006G	2	51100306A9	B.H.M. Screw B3 x 6
007G	2	51100306A9	B.H.M. Screw B3 x 6
008G	1	51100306A9	B.H.M. Screw B3 x 6
009G	2	51100306A9	B.H.M. Screw B3 x 6
010G	12	51100305A9	B.H.M. Screw B3 x 5
016G	1	2462109010	Shield
017G	2	51100306A9	B.H.M. Screw B3 x 6
018G	1	2462056010	Buffer
019G	3	2978101050	Support
024G	1	2978259060	Bushing

REF. DESIG.	Q'TY	PART NO.	DESCRIPTION
	F		
031G	1	2978109050	Shield
032G	8	2276005050	Clamper
033G	1	51280306B0	B.H. Tapped Screw B3 x 6
036G	1	2462101040	Support
037G	1	2978053050	Cover
G001	1	BF10400030	Spark, Killer 0.1μF +120Ω
J001	1	YJ01001210	Jack, Headphone
J005	1	YJ05000250	Jack, LED Socket
J006	1	YU08250210	Jumper Lead, (8P)
J007	1	YU08250210	Jumper Lead, (8P)
J008	1	YU08150210	Jumper Lead, (8P)
J009	1	YU08150210	Jumper Lead, (8P)
Q001	1	HI10004030	L.E.D. SLP-1 32B
R001	1	RM01040240	Variable Resistor 100KΩ
R006	1	GD05102140	Resistor 1KΩ ±5% ¼W
R007	1	GD05102140	Resistor 1KΩ ±5% ¼W
S001	1	SP04010230	Push Switch, Power
S002	1	SS04020360	Slide Switch
SK01	1	SC00030010	Switch
SK02	1	SB11000010	Switch Band, FLX
SK03	1	SS10040010	Slide Switch
P400	1	YG29780020	P.W. Board, Phono Amp.
Q421	1	HT407571C0	Transistor 2S17 57(C)
Q422	1	HT407571C0	Transistor 2S17 57(C)
Q423	1	HT207171C0	Transistor 2S17 17(C)
Q424	1	HT207171C0	Transistor 2S17 17(C)

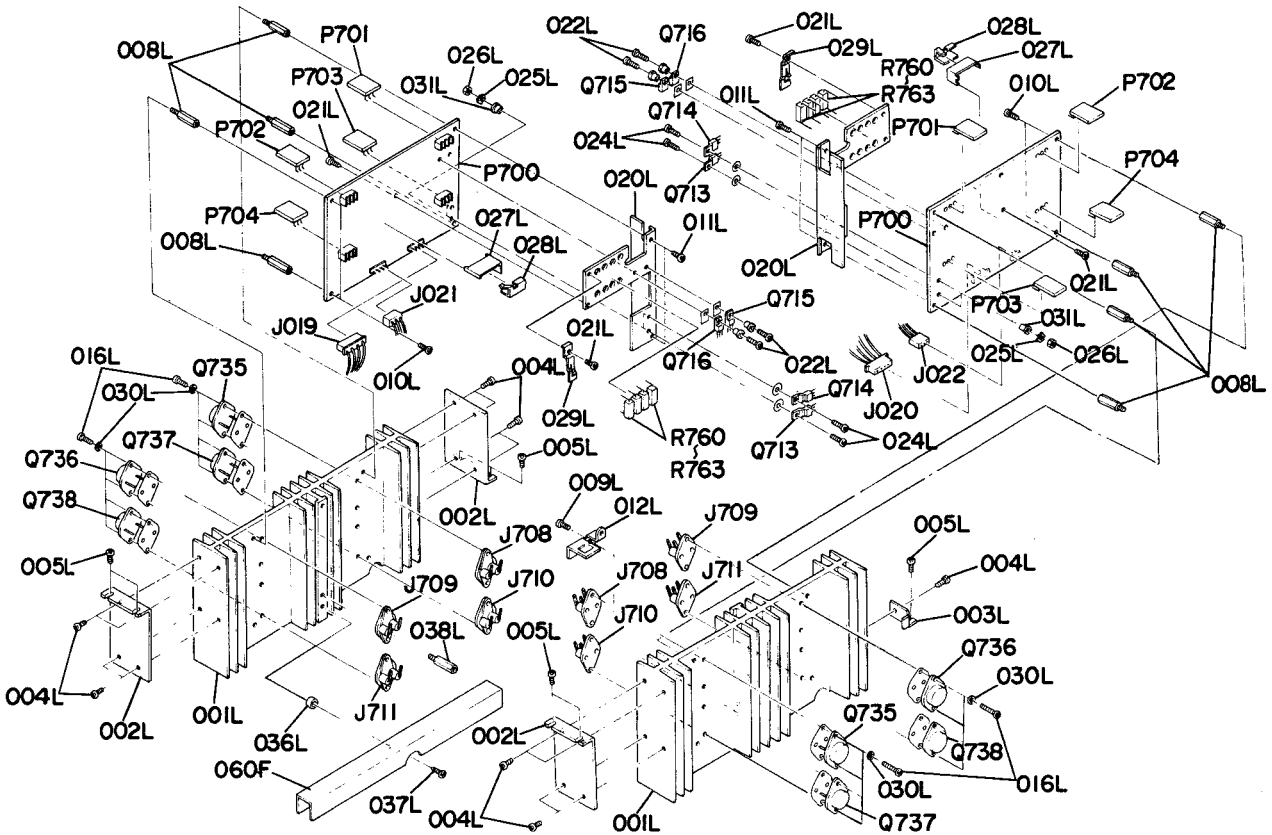
[P02-99] MAIN CHASSIS AND OTHER PARTS



REF. DESIG.	Q'TY F	PART NO.	DESCRIPTION
001F	1	2990160110	Bracket, Front Chassis
003F	6	51280408U0	B.H. Tapped Screw B4 x 8
004F	4	51280408B0	B.H. Tapped Screw B4 x 8
005F	2	51280306B0	B.H. Tapped Screw B3 x 6
009F	3	2965005010	Clamper
010F	3	2218271020	Holder
012F	1	2990160030	Bracket, (L)
013F	1	2990160130	Bracket, (R)
015F	1	2979105010	Chassis, Main
016F	6	51280408B0	B.H. Tapped Screw B4 x 8
017F	8	51280308B0	B.H. Tapped Screw B3 x 8
018F	4	51490612A9	L. Washer Screw L6 x 12
020F	2	54020301A0	Fiat Washer, P
021F	2	51280316B0	B.H. Tapped Screw B3 x 16
022F	1	2461160020	Bracket
023F	4	51280306B0	B.H. Tapped Screw B3 x 6
024F	3	2965005010	Clamper
031F	1	2990160020	Bracket
032F	4	51280408U0	B.H. Tapped Screw B4 x 8
044F	2	2979160040	Bracket
045F	2	51280308B0	B.H. Tapped Screw B3 x 8
046F	1	62030049W0	Lug
047F	1	51280306B0	B.H. Tapped Screw B3 x 6
050F	1	2990053010	Cover
051F	4	51280306U0	B.H. Tapped Screw B3 x 6
052F	1	2978120010	Insulator
055F	1	2978053050	Cover
072F	2	2979259050	Bushing

REF. DESIG.	Q'TY F	PART NO.	DESCRIPTION
600F	1	2990267020	Heatsink
601F	2	51280306B0	B.H. Tapped Screw B3 x 6
602F	2	54050300R0	T.L. Washer OR
603F	2	51280308B0	B.H. Tapped Screw B3 x 8
021G	1	2462354010	Lever
022G	1	2891271010	Holder
023G	1	51100304A9	B.H.M. Screw B3 x 4
C001	1	E110908010	Elect Cap. 15000µF x 2
C002	1	E110908010	Elect Cap. 15000µF x 2
C003	1	DK18104520	Ceramic Cap. 0.1µF 200V
C004	1	DK18104520	Ceramic Cap. 0.1µF 200V
C005	1	DK18104520	Ceramic Cap. 0.1µF 200V
C006	1	DK18104520	Ceramic Cap. 0.1µF 200V
J015	1	YJ06001050	Jack, (5P)
J016	1	YJ06001040	Jack, (3P)
J017	1	YJ06001050	Jack, (5P)
J018	1	YJ06001050	Jack, (5P)
L001	1	TS63303060	Power Transformer
Q002	1	HD20004290	Diode S5VB-20
Q003	1	HD20004290	Diode S5VB-20
R002	1	GS10222030	Resistor 2.2KΩ ±10% 3W
R003	1	GS10222030	Resistor 2.2KΩ ±10% 3W
R004	1	GS10222030	Resistor 2.2KΩ ±10% 3W
R005	1	GS10222030	Resistor 2.2KΩ ±10% 3W
Q805	1	HT403132P0	Transistor 2SD313(D or E)
Q806	1	HT205072P0	Transistor 2SB507(D or E)

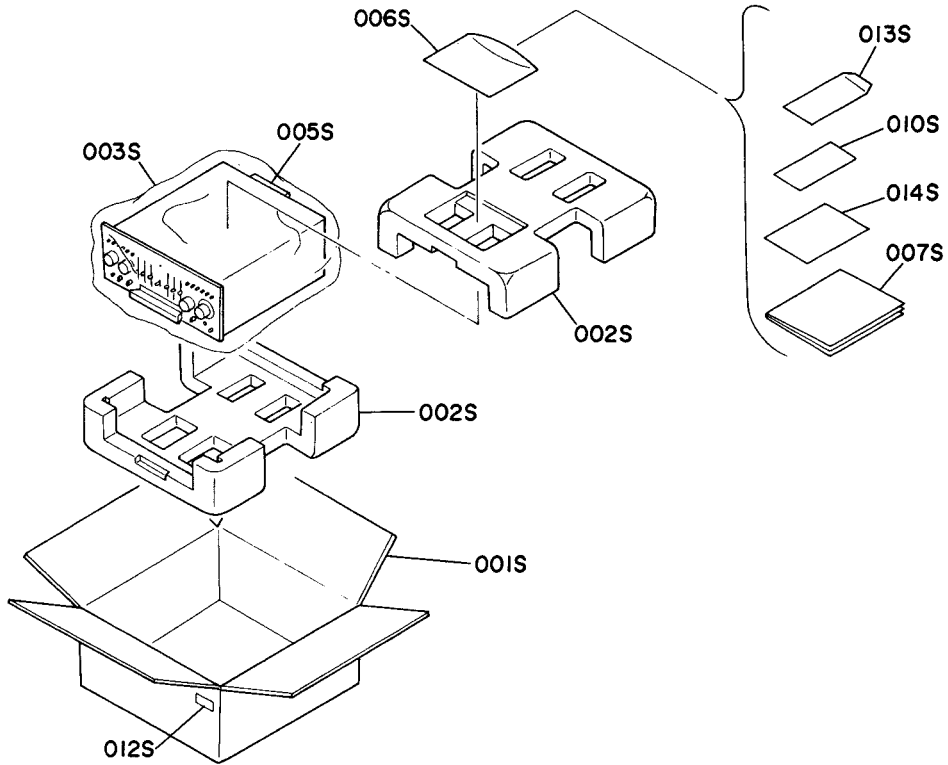
[P03-99] MAIN AMP. B.W. BOARD AND HEATSINK



REF. DESIG.	QTY F	PART NO.	DESCRIPTION
001L	2	2463267010	Heatsink
002L	3	2979160020	Bracket
003L	1	2978104030	Retainer
004L	13	51280308B0	B.H. Tapped Screw B3 x 8
005L	7	51280306B0	B.H. Tapped Screw B3 x 6
008L	8	2463101010	Support
009L	1	51100306A9	B.H.M. Screw B3 x 6
010L	6	51100306A9	B.H.M. Screw B3 x 6
011L	4	51100308A9	B.H.M. Screw B3 x 8
012L	1	2990104060	Retainer
016L	16	51100318E9	B.H.M. Screw B3 x 18
020L	2	2990267030	Heatsink
021L	4	51280306B0	B.H. Tapped Screw B3 x 6
022L	4	51100308E9	B.H.M. Screw B3 x 8
024L	4	51100312E9	B.H.M. Screw B3 x 12
025L	4	54050300R0	T.L. Washer OR
026L	4	53110303E9	Hexagon Nut
027L	2	2990267080	Heatsink
028L	2	2990115020	Spring
029L	2	2990115010	Spring
030L	16	54040302N0	Spring Washer
031L	4	2219259030	Bushing
036L	1	3683055010	Collar
037L	1	51100310A9	B.H.M. Screw B3 x 10
038L	1	2891101030	Support
060F	1	2990109010	Shield

REF. DESIG.	QTY F	PART NO.	DESCRIPTION
J019	1	YJ06002030	Jack, (4P)
J020	1	YJ06002040	Jack, (4P)
J021	1	YJ06001040	Jack, (3P)
J022	1	YJ06001040	Jack, (3P)
P700	2	YK29901610	P.W. Board, Main Amp.
R760	2	GW10272050	Resistor 0.27Ω ±10% 5W
R761	2	GW10272050	Resistor 0.27Ω ±10% 5W
R762	2	GW10272050	Resistor 0.27Ω ±10% 5W
R763	2	GW10272050	Resistor 0.27Ω ±10% 5W
Q713	2	HT407571C0	Transistor 2SD757(C)
Q714	2	HT207171C0	Transistor 2SB717(C)
Q715	2	HT322381C0	Transistor 2SC2238B(0 or Y)
Q716	2	HT109681C0	Transistor 2SA968B(0 or Y)
Q735	2	HT325893A0	Transistor 2SC2589(Q, R or S)
Q736	2	HT111093A0	Transistor 2SA1109(Q, R or S)
Q737	2	HT325893A0	Transistor 2SC2589(Q, R or S)
Q738	2	HT111093A0	Transistor 2SA1109(Q, R or S)
J708	2	YJ05000260	Jack
J709	2	YJ05000260	Jack
J710	2	YJ05000260	Jack
J711	2	YJ05000260	Jack

[H01-99] PACKING MATERIALS



REF. DESIG.	Q'TY	PART NO.	DESCRIPTION
	F		
001S	1	2463801010	Packing Case
002S	2	2990809010	Cushion
003S	1	9014538450	Polyethy Bag
005S	1	2864804010	Sleeve
006S	1	9013025010	Polyethy Bag

REF. DESIG.	Q'TY	PART NO.	DESCRIPTION
	F		
007S	1	2463851110	Instructions
010S	1	9641000020	Register Card
012S	2	9526019040	Serial NO Card
013S	1	2976813010	Envelope
014S	1	2976851040	Instruction

電気部品リスト

REF. DESIG.	Q'TY	PART NO.	DESCRIPTION	REF. DESIG.	Q'TY	PART NO.	DESCRIPTION
	F				F		
P400	1	YG29780020	P.W. Board, Phono Amp.	R421	1	GD05122140	1.2K Ω
			P400-CAPACITORS	R422	1	GD05122140	1.2K Ω
C403	1	DF55681090	Film 680pF $\pm 5\%$	R423	1	GG05680140	68 Ω
C404	1	DF55681090	Film 680pF $\pm 5\%$	R424	1	GG05680140	68 Ω
C405	1	DF55681090	Film 680pF $\pm 5\%$	R425	1	GG05680140	68 Ω
C406	1	DF55681090	Film 680pF $\pm 5\%$	R426	1	GG05680140	68 Ω
C407	1	DF55681090	Film 680pF $\pm 5\%$	R427	1	GD05101140	100 Ω
C408	1	DF55681090	Film 680pF $\pm 5\%$	R428	1	GD05101140	100 Ω
C409	1	EA47503590	Elect 4.7 μ F 35V	R429	1	GG05100140	10 Ω
C410	1	EA47503590	Elect 4.7 μ F 35V	R430	1	GG05100140	10 Ω
C411	1	EQ10603510	Elect 10 μ F 35V	R431	1	GG05100140	10 Ω
C412	1	EQ10603510	Elect 10 μ F 35V	R432	1	GG05100140	10 Ω
C413	1	DF74103010	Film 0.01 μ F $\pm 2\%$	R433	1	GD05273140	27K Ω
C414	1	DF74103010	Film 0.01 μ F $\pm 2\%$	R434	1	GD05273140	27K Ω
C415	1	DF74333010	Film 0.033 μ F $\pm 2\%$	R435	1	GM21413000	130 Ω $\pm 2\%$
C416	1	DF74333010	Film 0.033 μ F $\pm 2\%$	R436	1	GM21413000	130 Ω $\pm 2\%$
C417	1	EA22703590	Elect 220 μ F 35V	R437	1	GM21475010	7.5K Ω $\pm 2\%$
C418	1	EA22703590	Elect 220 μ F 35V	R438	1	GM21475010	7.5K Ω $\pm 2\%$
C419	1	DF17474510	Film 0.47 μ F $\pm 20\%$ 250V	R439	1	GD05101140	100 Ω
C420	1	DF17474510	Film 0.47 μ F $\pm 20\%$ 250V	R440	1	GD05101140	100 Ω
C421	1	DF15222300	Film 0.0022 μ F $\pm 5\%$	R441	1	GM21490920	90.9K Ω $\pm 2\%$
C422	1	DF15222300	Film 0.0022 μ F $\pm 5\%$	R442	1	GM21490920	90.9K Ω $\pm 2\%$
C423	1	EA22701090	Elect 220 μ F 10V	R443	1	GD05472140	4.7K Ω
C424	1	EA22701090	Elect 220 μ F 10V	R444	1	GD05472140	4.7K Ω
C425	1	DF15103300	Film 0.01 μ F $\pm 5\%$	R445	1	GD05241140	240 Ω
C426	1	DF15103300	Film 0.01 μ F $\pm 5\%$	R446	1	GD05241140	240 Ω
C427	1	DF15103300	Film 0.01 μ F $\pm 5\%$	R447	1	GD05104140	100K Ω
C428	1	DF15103300	Film 0.01 μ F $\pm 5\%$	R448	1	GD05104140	100K Ω
C431	1	DF15332300	Film 0.0033 μ F $\pm 5\%$	R449	1	GG05470140	47 Ω
C432	1	DF15332300	Film 0.0033 μ F $\pm 5\%$	R450	1	GG05470140	47 Ω
C433	1	DD15470300	Ceramic 47pF $\pm 5\%$	R451	1	GD05224140	220K Ω
C434	1	DD15470300	Ceramic 47pF $\pm 5\%$	R452	1	GD05224140	220K Ω
C437	1	DK18473310	Ceramic 0.047 μ F $+100\% -0$	R453	1	GD05683140	68K Ω
C438	1	DK18473310	Ceramic 0.047 μ F $+100\% -0$	R454	1	GD05683140	68K Ω
			P400-RESISTORS	R455	1	GD05222140	2.2K Ω
			(All Resistors are $\pm 5\%$ and $\frac{1}{4}W$)	R456	1	GD05222140	2.2K Ω
R401	1	GD05101140	100 Ω				P400-SEMICONDUCTORS
R402	1	GD05101140	100 Ω	Q401	1	HF201301M0	F.E.T. 2SK130A(N)
R403	1	GD05104140	100K Ω	Q402	1	HF201301M0	F.E.T. 2SK130A(N)
R404	1	GD05104140	100K Ω	Q403	1	HF201301M0	F.E.T. 2SK130A(N)
R405	1	GM21426710	2.67K Ω 2%	Q404	1	HF201301M0	F.E.T. 2SK130A(N)
R406	1	GM21426710	2.67K Ω 2%	Q405	1	HT322401B0	Transistor 2SC2240(BL)
R407	1	GM21426710	2.67K Ω 2%	Q406	1	HT322401B0	Transistor 2SC2240(BL)
R408	1	GM21426710	2.67K Ω 2%	Q407	1	HT109701B0	Transistor 2SA970(BU)
R409	1	GD05471140	470 Ω	Q408	1	HT109701B0	Transistor 2SA970(BU)
R410	1	GD05471140	470 Ω	Q409	1	HT109701B0	Transistor 2SA970(BU)
R411	1	GD05471140	470 Ω	Q410	1	HT109701B0	Transistor 2SA970(BU)
R412	1	GD05471140	470 Ω	Q411	1	HT322401A0	Transistor 2SC2240(GR)
R413	1	GD05621140	620 Ω	Q412	1	HT322401A0	Transistor 2SC2240(GR)
R414	1	GD05621140	620 Ω	Q413	1	HT108722D0	Transistor 2SA872A(b or E)
R415	1	GD05272140	2.7K Ω	Q414	1	HT108722D0	Transistor 2SA872A(b or E)
R416	1	GD05272140	2.7K Ω	Q415	1	HT317752D0	Transistor 2SC1775A(D or E)
R417	1	GD05272140	2.7K Ω	Q416	1	HT317752D0	Transistor 2SC1775A(D or E)
R418	1	GD05272140	2.7K Ω	Q417	1	HT317752D0	Transistor 2SC1775A(D or E)
R419	1	GD05122140	1.2K Ω	Q418	1	HT317752D0	Transistor 2SC1775A(D or E)
R420	1	GD05122140	1.2K Ω	Q419	1	HT108722D0	Transistor 2SA872A(b or E)
				Q420	1	HT108722D0	Transistor 2SA872A(b or E)

REF. DESIG.	Q'TY	PART NO.	DESCRIPTION			
	F					
R753	2	GG05100120	10Ω	1/4W		
R754	2	GG05100120	10Ω	1/4W		
R755	2	GG05100120	10Ω	1/4W		
R756	2	GG05047140	4.7Ω			
R757	2	GG05047140	4.7Ω			
R758	2	GG05047140	4.7Ω			
R759	2	GG05047140	4.7Ω			
R760	2	GW10272050	0.27Ω	±10%	5W	
R761	2	GW10272050	0.27Ω	±10%	5W	
R762	2	GW10272050	0.27Ω	±10%	5W	
R763	2	GW10272050	0.27Ω	±10%	5W	
R764	2	GA05100030	10Ω		3W	
R765	2	GA05022020	2.2Ω		2W	
R766	2	GA05100010	10Ω		1W	
P700-SEMICONDUCTORS						
Q701	2	HC10043050	IC	Dual FET		
Q702	2	HT322592F0	Transistor	2SC2259(F or G)		
Q703	2	HT109701A0	Transistor	2SA970(GR)		
Q704	2	HT322401J0	Transistor	2SC2240(GR)		
Q705	2	HT109701A0	Transistor	2SA970(GR)		
Q706	2	HT109701J0	Transistor	2SA970(GR)		
Q707	2	HT322401J0	Transistor	2SC2240(GR)		
Q708	2	HT109491B0	Transistor	2SA949(Y)		
Q709	2	HT322291B0	Transistor	2SC2229(Y)		
Q710	2	HT109701B0	Transistor	2SA970(BL)		
Q711	2	HT318152A0	Transistor	2SC1815(O or Y)		
Q712	2	HT110152A0	Transistor	2SA1015(O or Y)		
Q713	2	HT407571C0	Transistor	2SD757(C)		
Q714	2	HT207171C0	Transistor	2SB717(C)		
Q715	2	HT322381C0	Transistor	2SC2238B(O or Y)		
Q716	2	HT109681C0	Transistor	2SA968B(O or Y)		
Q717	2	HD30025090	Zener	WZ150		
Q718	2	HD30025090	Zener	WZ150		
Q719	2	HD20003210	Diode	1S2471		
Q720	2	HD20003210	Diode	1S2471		
Q721	2	HD20003210	Diode	1S2471		
Q722	2	HD20003210	Diode	1S2471		
Q723	2	HD20010210	Diode	1S2471G		
Q724	2	HD20010210	Diode	1S2471G		
Q725	2	HV00002120	Varistor	SV-3A		
Q726	2	HD20001210	Diode	1S2473		
Q727	2	HD20001210	Diode	1S2473		
Q728	2	HD20003210	Diode	1S2471		
Q729	2	HD20003210	Diode	1S2471		
Q730	2	HD20003210	Diode	1S2471		
Q731	2	HD20003210	Diode	1S2471		
Q732	2	HD20011010	Diode	W06C		
Q733	2	HD20011010	Diode	W06C		
Q734	2	HT315681S0	Transistor	2SC1568(S)		
Q735	2	HT325893A0	Transistor	2SC2589(Q, R or S)		
Q736	2	HT111093A0	Transistor	2SA1109(Q, R or S)		
Q737	2	HT325883A0	Transistor	2SC2589(Q, R or S)		
Q738	2	HT111093A0	Transistor	2SA1109(Q, R or S)		
Q739	2	HD20001210	Diode	1S2473		
Q740	2	HD20001210	Diode	1S2473		

REF. DESIG.	Q'TY	PART NO.	DESCRIPTION			
	F					
P700-MISCELLANEOUS						
J701	2	YP06001040	Plug,	(3P)		
J702	2	YP06000520	Plug,	(4P)		
J704	2	YJ06001960	Jack,	(3P)		
J705	2	YJ06001960	Jack,	(3P)		
J706	2	YJ06001960	Jack,	(3P)		
J707	2	YJ06001960	Jack,	(3P)		
J708	2	YJ05000260	Jack,	TR. Socket		
J709	2	YJ05000260	Jack,	TR. Socket		
J710	2	YJ05000260	Jack,	TR. Socket		
J711	2	YJ05000260	Jack,	TR. Socket		
L701	2	LJ28007090	Choke Coil			
P701	2	YK29901620	P.W. Board, Power Tr. Socket			
J712	2	YP06001640	Plug,	(3P)		
P702	2	YK29901630	P.W. Board, Power Tr. Socket			
J713	2	YP06001640	Plug,	(3P)		
P703	2	YK29901640	P.W. Board, Power Tr. Socket			
J714	2	YP06001640	Plug,	(3P)		
P704	2	YK29901650	P.W. Board, Power Tr. Socket			
J715	2	YP06001640	Plug,	(3P)		
P800	1	YG29900040	P.W. Board, Power Supply			
P800-CAPACITORS						
C801	1	DK18103510	Ceramic	0.01μF		500V
C802	1	DK18103510	Ceramic	0.01μF		500V
C803	1	DF17474510	Film	0.47μF ±20%		250V
C804	1	DF17474510	Film	0.47μF ±20%		250V
C805	1	EB10805060	Elect	1000μF		50V
C806	1	EB10805060	Elect	1000μF		50V
C807	1	DF15103350	Film	0.01μF ±5%		
C808	1	DF15103350	Film	0.01μF ±5%		
C809	1	EA10701090	Elect	100μF		10V
C810	1	EA47503590	Elect	4.7μF		35V

REF. DESIG.	Q'TY	PART NO.	DESCRIPTION
	F		
C811	1	EA47503590	Elect 4.7μF 35V
C812	1	EA10803590	Elect 1000μF 35V
C813	1	EA10803590	Elect 1000μF 35V
C814	1	DF17474510	Film 0.47μF ±20% 250V
C815	1	DF17474510	Film 0.47μF ±20% 250V
P800-RESISTORS			
(All Resistors are ±5% and ½W)			
R803	1	GD05102140	1KΩ
R804	1	GD05102140	1KΩ
R807	1	GG05682120	6.8KΩ ½W
R808	1	GD05473140	47KΩ
R809	1	GD05103140	10KΩ
R810	1	RA04720050	4.7KΩ(B) Trimming
R811	1	GD05473140	47KΩ
R812	1	GD05473140	47KΩ
R813	1	GD05162140	1.6KΩ
R814	1	GG05151140	150Ω
R815	1	GG05151140	150Ω
P800-SEMICONDUCTORS			
Q801	1	HF200301C0	F.E.T. 2SK30A(Y)
Q802	1	HF200301C0	F.E.T. 2SK30A(Y)
Q803	1	HT315091Q0	Transistor 2SC1509(Q)
Q804	1	HT107771Q0	Transistor 2SA777(Q)
Q805	1	HT403132P0	Transistor 2SD313(D or E)
Q806	1	HT205072P0	Transistor 2SB507(D or E)
Q807	1	HT322402A0	Transistor 2SC2240(GR or BL)
Q808	1	HT109702A0	Transistor 2SA970(GR or BL)
Q809	1	HE10001030	Diode DS133B-L
Q810	1	HE10001030	Diode DS133B-L
Q811	1	HD30008010	Zener HZ-6L(B)
P800-MISCELLANEOUS			
F801	1	FS10100080	Fuse 1A 250V
F802	1	FS10100080	Fuse 1A 250V
J801	4	YJ08000170	Jack, Fuse Holder
J804			
PE00	1	YN29782210	P.W. Board, Pre Amp.
PE00-CAPACITORS			
CD01	1	DF16103300	Film 0.01μF ±10%
CD03	1	EA10701690	Elect 100μF 16V
CE01	1	DD15330370	Ceramic 33pF ±5%
CE02	1	DD15330370	Ceramic 33pF ±5%
CE03	1	DF15152350	Film 0.0015μF ±5%
CE04	1	DF15152350	Film 0.0015μF ±5%
CE05	1	EA22701090	Elect 220μF 10V
CE06	1	EA22701090	Elect 220μF 10V
CE07	1	DF15152350	Film 0.0015μF ±5%
CE08	1	DF15152350	Film 0.0015μF ±5%
CE09	1	EA10601690	Elect 10μF 16V
CE10	1	EA10601690	Elect 10μF 16V

REF. DESIG.	Q'TY	PART NO.	DESCRIPTION
	F		
CE11	1	DD15360300	Ceramic 36pF ±5%
CE12	1	DD15360300	Ceramic 36pF ±5%
CE13	1	EQ10603510	Elect 10μF 35V
CE14	1	EQ10603510	Elect 10μF 35V
CE15	1	DD15330300	Ceramic 33pF ±5%
CE16	1	DD15330300	Ceramic 33pF ±5%
CE17	1	EA10703590	Elect 100μF 35V
CE18	1	EA10703590	Elect 100μF 35V
CE19	1	DF17474510	Film 0.47μF ±20%
CE20	1	DF17474510	Film 0.47μF ±20%
CE23	1	DF15152350	Film 0.0015μF ±5%
CE24	1	DF15152350	Film 0.0015μF ±5%
CE25	1	DF15152350	Film 0.0015μF ±5%
CE26	1	DF15152350	Film 0.0015μF ±5%
CE27	1	DD15360300	Ceramic 36pF ±5%
CE28	1	DD15360300	Ceramic 36pF ±5%
CE29	1	EA10601690	Elect 10μF 16V
CE30	1	EA10601690	Elect 10μF 16V
CE31	1	EQ10603510	Elect 10μF 35V
CE32	1	EQ10603510	Elect 10μF 35V
CE33	1	DD15330300	Ceramic 33pF ±5%
CE34	1	DD15330300	Ceramic 33pF ±5%
CH01	1	DF16104300	Film 0.1μF ±10%
CH02	1	DF16104300	Film 0.1μF ±10%
CH03	1	EA47503590	Elect 4.7μF 35V
CH04	1	EA47503590	Elect 4.7μF 35V
CH05	1	EA33603590	Elect 33μF 35V
CH06	1	EA33603590	Elect 33μF 35V
CH07	1	EA10703590	Elect 100μF 35V
CH08	1	EA10703590	Elect 100μF 35V
CH09	1	DF17474510	Film 0.47μF ±20%
CH10	1	DF17474510	Film 0.47μF ±20%
CH11	1	DF15224300	Film 0.22μF ±5%
CH12	1	DF15224300	Film 0.22μF ±5%
CH13	1	DF15224300	Film 0.22μF ±5%
CH14	1	DF15224300	Film 0.22μF ±5%
CH15	1	DF15224300	Film 0.22μF ±5%
CH16	1	DF15224300	Film 0.22μF ±5%
CH17	1	DF15152350	Film 0.0015μF ±5%
CH18	1	DF15152350	Film 0.0015μF ±5%
CH19	1	DF15222350	Film 0.0022μF ±5%
CH20	1	DF15222350	Film 0.0022μF ±5%
CH21	1	DF55391090	Film 390pF ±5%
CH22	1	DF55391090	Film 390pF ±5%
CH23	1	DF15683300	Film 0.068μF ±5%
CH24	1	DF15683300	Film 0.068μF ±5%
CH25	1	DF15683300	Film 0.068μF ±5%
CH26	1	DF15683300	Film 0.068μF ±5%
CH27	1	DF15182350	Film 0.0018μF ±5%
CH28	1	DF15182350	Film 0.0018μF ±5%

REF. DESIG.	Q'TY	PART NO.	DESCRIPTION
	F		
PE00-RESISTORS (All Resistors are $\pm 5\%$ and $\frac{1}{4}W$)			
RD01	1	GA05472010	4.7K Ω 1W
RD04	1	GD05103140	10K Ω
RD05	1	GD05394140	390K Ω
RD06	1	GD05104140	100K Ω
RD07	1	GD05753140	75K Ω
RD08	1	GD05103140	10K Ω
RD09	1	GD05153140	15K Ω
RD10	1	GD05182140	1.8K Ω
RD11	1	GD05101140	100 Ω
RE01	1	GD05331140	330 Ω
RE02	1	GD05331140	330 Ω
RE03	1	GD05224140	220K Ω
RE04	1	GD05224140	220K Ω
RE05	1	GD05222140	2.2K Ω
RE06	1	GD05222140	2.2K Ω
RE07	1	GD05222140	2.2K Ω
RE08	1	GD05222140	2.2K Ω
RE09	1	GD05101140	100 Ω
RE10	1	GD05101140	100 Ω
RE11	1	GD05101140	100 Ω
RE12	1	GD05101140	100 Ω
RE13	1	GD05223140	22K Ω
RE14	1	GD05223140	22K Ω
RE15	1	GD05560140	56 Ω
RE16	1	GD05560140	56 Ω
RE17	1	GD05182140	1.8K Ω
RE18	1	GD05182140	1.8K Ω
RE19	1	GD05222140	2.2K Ω
RE20	1	GD05222140	2.2K Ω
RE21	1	GD05222140	2.2K Ω
RE22	1	GD05222140	2.2K Ω
RE23	1	GD05151140	150 Ω
RE24	1	GD05151140	150 Ω
RE25	1	GD05151140	150 Ω
RE26	1	GD05151140	150 Ω
RE27	1	GD05473140	47K Ω
RE28	1	GD05473140	47K Ω
RE29	1	GD05473140	47K Ω
RE30	1	GD05473140	47K Ω
RE31	1	GD05560140	56 Ω
RE32	1	GD05560140	56 Ω
RE33	1	GD05102140	1K Ω
RE34	1	GD05102140	1K Ω
RE35	1	GG05270140	27 Ω
RE36	1	GG05270140	27 Ω
RE37	1	GG05270140	27 Ω
RE38	1	GG05270140	27 Ω
RE39	1	GD05047140	4.7 Ω
RE40	1	GD05047140	4.7 Ω
RE41	1	GD05104140	100K Ω
RE42	1	GD05104140	100K Ω
RE43	1	GD05183140	18K Ω
RE44	1	GD05183140	18K Ω
RE45	1	GD05331140	330 Ω
RE46	1	GD05331140	330 Ω
RE49	1	GD05222140	2.2K Ω
RE50	1	GD05222140	2.2K Ω
RE51	1	GD05222140	2.2K Ω
RE52	1	GD05222140	2.2K Ω

REF. DESIG.	Q'TY	PART NO.	DESCRIPTION
	F		
RE53	1	GD05101140	100 Ω
RE54	1	GD05101140	100 Ω
RE55	1	GD05101140	100 Ω
RE56	1	GD05101140	100 Ω
RE57	1	GD05223140	22K Ω
RE58	1	GD05223140	22K Ω
RE59	1	GD05222140	2.2K Ω
RE60	1	GD05222140	2.2K Ω
RE61	1	GD05222140	2.2K Ω
RE62	1	GD05222140	2.2K Ω
RE63	1	GD05560140	56 Ω
RE64	1	GD05560140	56 Ω
RE65	1	GD05560140	56 Ω
RE66	1	GD05560140	56 Ω
RE67	1	GD05473140	47K Ω
RE68	1	GD05473140	47K Ω
RE69	1	GD05473140	47K Ω
RE70	1	GD05473140	47K Ω
RE71	1	GD05151140	150 Ω
RE72	1	GD05151140	150 Ω
RE73	1	GD05151140	150 Ω
RE74	1	GD05151140	150 Ω
RE75	1	GD05102140	1K Ω
RE76	1	GD05102140	1K Ω
RE77	1	GG05270140	27 Ω
RE78	1	GG05270140	27 Ω
RE79	1	GG05270140	27 Ω
RE80	1	GG05270140	27 Ω
RE83	1	GD05104140	100K Ω
RE84	1	GD05104140	100K Ω
RE85	1	GD05105140	1M Ω
RE86	1	GD05105140	1M Ω
RE87	1	GA05680010	68 Ω 1W
RE88	1	GA05680010	68 Ω 1W
RH01	1	GD05331140	330 Ω
RH02	1	GD05331140	330 Ω
RH03	1	GD05471140	470 Ω
RH04	1	GD05471140	470 Ω
RH05	1	GD05471140	470 Ω
RH06	1	GD05471140	470 Ω
RH07	1	GD05332140	3.3K Ω
RH08	1	GD05332140	3.3K Ω
RH09	1	GD05332140	3.3K Ω
RH10	1	GD05332140	3.3K Ω
RH11	1	GD05104140	100K Ω
RH12	1	GD05104140	100K Ω
RH13	1	GD05101140	100 Ω
RH14	1	GD05101140	100 Ω
RH15	1	GD05101140	100 Ω
RH16	1	GD05101140	100 Ω
RH17	1	GG05047140	4.7 Ω
RH18	1	GG05047140	4.7 Ω
RH19	1	GG05047140	4.7 Ω
RH20	1	GG05047140	4.7 Ω

REF. DESIG.	Q'TY	PART NO.	DESCRIPTION	
	F			
RH21	1	GD05105140	1M Ω	
RH22	1	GD05105140	1M Ω	
RH23	1	GD05104140	100K Ω	
RH24	1	GD05104140	100K Ω	
RH25	1	GA05680010	68 Ω	1W
RH26	1	GA05680010	68 Ω	1W
RH27	1	GD05393140	39K Ω	
RH28	1	GD05393140	39K Ω	
RH29	1	GD05153140	15K Ω	
RH30	1	GD05153140	15K Ω	
RH31	1	GD05304140	300K Ω	
RH32	1	GD05304140	300K Ω	
RH33	1	GD05113140	11K Ω	
RH34	1	GD05113140	11K Ω	
RH35	1	GD05113140	11K Ω	
RH36	1	GD05113140	11K Ω	
RH37	1	GD05113140	11K Ω	
RH38	1	GD05113140	11K Ω	
RH39	1	GD05182140	1.8K Ω	
RH40	1	GD05182140	1.8K Ω	
RH41	1	GD05153140	15K Ω	
RH42	1	GD05153140	15K Ω	
RH43	1	GD05224140	220K Ω	
RH44	1	GD05224140	220K Ω	
RH45	1	GD05101140	100 Ω	
RH46	1	GD05101140	100 Ω	
RH47	1	GD05150140	15 Ω	
RH48	1	GD05150140	15 Ω	
RH49	1	GD05150140	15 Ω	
RH50	1	GD05150140	15 Ω	
PE00-SEMICONDUCTORS				
QD01	1	HT110152A0	Transistor	2SA1015(O or Y)
QD02	1	HT318152A0	Transistor	2SC1815(O or Y)
QD03	1	HT318152A0	Transistor	2SC1815(O or Y)
QD05	1	HD20003210	Diode	1S2471
QD06	1	HD20003210	Diode	1S2471
QE01	1	HF201172B0	F.E.T.	2SK117(Y or GR)
QE02	1	HF201172B0	F.E.T.	2SK117(Y or GR)
QE03	1	HF201172B0	F.E.T.	2SK117(Y or GR)
QE04	1	HF201172B0	F.E.T.	2SK117(Y or GR)
QE05	1	HT108722D0	Transistor	2SA872A(D or E)
QE06	1	HT108722D0	Transistor	2SA872A(D or E)
QE07	1	HT108722D0	Transistor	2SA872A(D or E)
QE08	1	HT108722D0	Transistor	2SA872A(D or E)
QE09	1	HT317752D0	Transistor	2SC1775A(D or E)
QE10	1	HT317752D0	Transistor	2SC1775A(D or E)
QE11	1	HT406661C0	Transistor	2SA666(C)
QE12	1	HT406661C0	Transistor	2SA666(C)
QE13	1	HT206461C0	Transistor	2SB646(C)
QE14	1	HT206461C0	Transistor	2SB646(C)
QE15	1	HF201172B0	F.E.T.	2SK117(Y or GR)
QE16	1	HF201172B0	F.E.T.	2SK117(Y or GR)
QE17	1	HF201172B0	F.E.T.	2SK117(Y or GR)
QE18	1	HF201172B0	F.E.T.	2SK117(Y or GR)
QE19	1	HT108722D0	Transistor	2SA872A(D or E)
QE20	1	HT108722D0	Transistor	2SA872A(D or E)

REF. DESIG.	Q'TY	PART NO.	DESCRIPTION	
	F			
QE21	1	HT108722D0	Transistor	2SA872A(D or E)
QE22	1	HT108722D0	Transistor	2SA872A(D or E)
QE23	1	HT317752D0	Transistor	2SC1775A(D or E)
QE24	1	HT317752D0	Transistor	2SC1775A(D or E)
QE25	1	HT406661C0	Transistor	2SD666(C)
QE26	1	HT406661C0	Transistor	2SD666(C)
QE27	1	HT206461C0	Transistor	2SB646(C)
QE28	1	HT206461C0	Transistor	2SB646(C)
QE29	1	HD20003210	Diode	1S2471
QE30	1	HD20003210	Diode	1S2471
QE31	1	HV00009120	Varistor	MV103(W)
QE32	1	HV00009120	Varistor	MV103(W)
QE33	1	HD20003210	Diode	1S2471
QE34	1	HD20003210	Diode	1S2471
QE35	1	HV00009120	Varistor	MV103(W)
QE36	1	HV00009120	Varistor	MV103(W)
QH01	1	HT108722D0	Transistor	2SA872(D or E)
QH02	1	HT108722D0	Transistor	2SA872(D or E)
QH03	1	HT317752D0	Transistor	2SC1775(D or E)
QH04	1	HT317752D0	Transistor	2SC1775(D or E)
QH05	1	HT322401A0	Transistor	2SC2240(GR)
QH06	1	HT322401A0	Transistor	2SC2240(GR)
QH07	1	HT109701A0	Transistor	2SA970(GR)
QH08	1	HT109701A0	Transistor	2SA970(GR)
QH09	1	HT406661C0	Transistor	2SD666(C)
QH10	1	HT406661C0	Transistor	2SD666(C)
QH11	1	HT206461C0	Transistor	2SB646(C)
QH12	1	HT206461C0	Transistor	2SB646(C)
PE00-MISCELLANEOUS				
LD01	1	LY20240120	Relay	
JH01	1	YP06901160	Plug,	(12P)
JH02	1	YP06901140	Plug,	(7P)
JH03	1	YP06901140	Plug,	(7P)
SH01	1	SP04060090	Push Switch	
PF00	2	YN29782240	P.W. Board, Tone VR.	
PF00-CAPACITORS				
CF01	2	DF15153300	Film	0.015 μ F \pm 5%
CF02	2	DF15153300	Film	0.015 μ F \pm 5%
CF03	2	DF15562300	Film	0.0056 μ F \pm 5%
CF04	2	DD15331370	Ceramic	330pF \pm 5%
CF05	2	DF15562300	Film	0.0056 μ F \pm 5%
CF06	2	DF15103300	Film	0.01 μ F \pm 5%
CF07	2	DF15103300	Film	0.01 μ F \pm 5%
CF08	2	DD15221370	Ceramic	220pF \pm 5%

REF. DESIG.	Q'TY	PART NO.	DESCRIPTION
	F		
PE00-RESISTORS (All Resistors are ±5% and ¼W)			
RF01	2	RX01040030	Variable, Bass 100KΩ
RF02	2	RX01040030	Variable, Mid 100KΩ
RF03	2	RX01040030	Variable, Treble 100KΩ
RF04	2	GD05183140	18KΩ
RF05	2	GD05183140	18KΩ
RE06	2	GD05273140	27KΩ
RE07	2	GD05273140	27KΩ
RF08	2	GD05562140	5.6KΩ
RF09	2	GD05562140	5.6KΩ
RF11	2	GD05392140	3.9KΩ
RF12	2	GD05562140	5.6KΩ
RF13	2	GD05562140	5.6KΩ
PF00-JACK			
JF01	2	YJ06000400	Jack, (10P)
PF01	2	YN29782220	P.W. Board, Tone VR Connector
JF02	2	YP06000400	Plug, (10P)
PG00	1	YN29782230	P.W. Board, Volume Buffer
PG00-CAPACITORS			
CG01	1	DF16104300	Film 0.1μF ±10%
CG02	1	DF16104300	Film 0.1μF ±10%
CG05	1	EA33603590	Elect 33μF 35V
CG06	1	EA33603590	Elect 33μF 35V
PG00-RESISTORS (All Resistors are ±5% and ¼W)			
RG01	1	RG05030070	50KΩ x 4 Variable
RG03	1	GD05471140	470Ω
RG04	1	GD05471140	470Ω
RG05	1	GD05471140	470Ω
RG06	1	GD05471140	470Ω
RG07	1	GD05332140	3.3KΩ
RG08	1	GD05332140	3.3KΩ
RG09	1	GD05332140	3.3KΩ
RG10	1	GD05332140	3.3KΩ
RG11	1	GD05104140	100KΩ
RG12	1	GD05104140	100KΩ
RG13	1	GD05101140	100Ω
RG14	1	GD05101140	100Ω
RG15	1	GD05101140	100Ω
RG16	1	GD05101140	100Ω
RG17	1	GG05047140	4.7Ω
RG18	1	GG05047140	4.7Ω
RG19	1	GG05047140	4.7Ω
RG20	1	GG05047140	4.7Ω
RG21	1	GD05224140	220KΩ

REF. DESIG.	Q'TY	PART NO.	DESCRIPTION
	F		
RG22	1	GD05224140	220KΩ
RG23	1	GD05224140	220KΩ
RG24	1	GD05224140	220KΩ
RG25	1	GD05331140	330Ω
RG26	1	GD05331140	330Ω
RG27	1	GD05102140	1KΩ
RG28	1	GD05102140	1KΩ
RG29	1	GD05150140	15Ω
RG30	1	GD05150140	15Ω
RG31	1	GD05150140	15Ω
RG32	1	GD05150140	15Ω
RG33	1	GD05332140	3.3KΩ
RG34	1	GD05332140	3.3KΩ
QG00-SEMICONDUCTORS			
QG01	1	HT108722D0	Transistor 2SA872A(D or E)
QG02	1	HT108722D0	Transistor 2SA872A(D or E)
QG03	1	HT317752D0	Transistor 2SC1775A(D or E)
QG04	1	HT317752D0	Transistor 2SC1775A(D or E)
QG05	1	HT322401A0	Transistor 2SC2240(GR)
QG06	1	HT322401A0	Transistor 2SC2240(GR)
QG07	1	HT109701A0	Transistor 2SA970(GR)
QG08	1	HT109701A0	Transistor 2SA970(GR)
QG09	1	HT406661C0	Transistor 2SD666(C)
QG10	1	HT406661C0	Transistor 2SD666(C)
QG11	1	HT206461C0	Transistor 2SB646(C)
QG12	1	HT206461C0	Transistor 2SB646(C)
JG00-MISCELLANEOUS			
JG01	1	YJ06901660	Jack, (7P)
JG02	1	YJ06901660	Jack, (7P)
SG01	1	SR04050180	Rotary Switch, Mode
PJ00	1	YF29780030	P.W. Board, Selector Switch
CJ01	1	EA47503590	Elect Cap. 4.7μF 35V
PJ00-MISCELLANEOUS			
JJ01	1	YJ06901970	Jack, (10P)
JJ02	1	YJ06901980	Jack, (6P)
JJ03	1	YJ06901680	Jack, (12P)
SJ01	1	SP06060100	Push Switch, Input
SJ02	1	SR04050170	Rotary Switch, Record, 1
SJ03	1	SR04050170	Rotary Switch, Record, 2
PK00	1	YF29780040	P.W. Board, Tape EQ
CK00-CAPACITORS			
CK03	1	EA10603590	Elect 10μF 35V
CK04	1	EA10603590	Elect 10μF 35V
CK05	1	EA10605090	Elect 10μF 50V
CK06	1	EA10605090	Elect 10μF 50V
CK08	1	EA10703590	Elect 100μF 35V
CK09	1	EA10703590	Elect 100μF 35V
CK13	1	DD15471370	Ceramic 470pF ±5%
CK14	1	DD15471370	Ceramic 470pF ±5%

REF. DESIG.	Q/TY F	PART NO.	DESCRIPTION
PK00-RESISTORS (All Resistors are ±5% and ¼W)			
RK01	1	GD05221140	220Ω
RK02	1	GD05221140	220Ω
RK03	1	GD05273140	27KΩ
RK04	1	GD05273140	27KΩ
RK05	1	GD05273140	27KΩ
RK06	1	GD05273140	27KΩ
RK13	1	GD05101140	100Ω
RK14	1	GD05101140	100Ω
RK15	1	GD05101140	100Ω
RK16	1	GD05101140	100Ω
RK17	1	GD05047140	4.7Ω
RK18	1	GD05047140	4.7Ω
RK19	1	GD05047140	4.7Ω
RK20	1	GD05047140	4.7Ω
RK21	1	GD05047140	4.7Ω
RK22	1	GD05047140	4.7Ω
RK23	1	GD05104140	100KΩ
RK24	1	GD05104140	100KΩ
RK25	1	GF05151120	150Ω ¼W
RK26	1	GF05151120	150Ω ¼W
RK27	1	GD05224140	220KΩ
RK28	1	GD05224140	220KΩ
RK29	1	GD05150140	15Ω
RK30	1	GD05150140	15Ω
RK31	1	GD05150140	15Ω
RK32	1	GD05150140	15Ω
RK33	1	GD05221140	220Ω
RK34	1	GD05221140	220Ω
PK00-SEMICONDUCTORS			
QK01	1	HT108722D0	Transistor 2SA872A(D or E)
QK02	1	HT108722D0	Transistor 2SA872A(D or E)
QK03	1	HT317752D0	Transistor 2SC1775A(D or E)
QK04	1	HT317752D0	Transistor 2SC1775A(D or E)
QK09	1	HT406661C0	Transistor 2SD666(C)
QK10	1	HT406661C0	Transistor 2SD666(C)
QK11	1	HT206461C0	Transistor 2SB646(C)
QK12	1	HT206461C0	Transistor 2SB646(C)
PK00-MISCELLANEOUS			
JK01	1	YP06901580	Plug, (12P)
JK02	1	YJ06901680	Jack, (12P)
SK01	1	SC00030010	Switch
SK02	1	SB11000010	Switch Band, Fix
SK03	1	SS10040010	Slide Switch
PL00	1	YH24621210	P.W. Board, Cartridge Load
PL00-RESISTORS (All Resistors are ±5% and ¼W)			
RL01	1	GD05181140	180Ω
RL02	1	GD05181140	180Ω
RL03	1	GD05560140	56Ω
RL04	1	GD05560140	56Ω
RL05	1	GD05100140	10Ω
RL06	1	GD05100140	10Ω
RL07	1	GD05104140	100KΩ
RL08	1	GD05104140	100KΩ
RL09	1	GD05393140	39KΩ
RL10	1	GD05393140	39KΩ

REF. DESIG.	Q/TY F	PART NO.	DESCRIPTION
RL11	1	GD05123140	12KΩ
RL12	1	GD05123140	12KΩ
RL13	1	GD05102140	1KΩ
RL14	1	GD05102140	1KΩ
RL15	1	GD05104140	100KΩ
RL16	1	GD05104140	100KΩ
RL17	1	GD05393140	39KΩ
RL18	1	GD05393140	39KΩ
RL19	1	GD05123140	12KΩ
RL20	1	GD05123140	12KΩ
RL21	1	GD05102140	1KΩ
RL22	1	GD05102140	1KΩ
PL00-SWITCH			
SL01	1	SR04040140	Rotary Switch
SL02	1	SR04050190	Rotary Switch
PM01	1	YK29780210	P.W. Board, MC Amp.
PM01-CAPACITORS			
CM01	1	DD15101300	Ceramic 100pF ±5%
CM02	1	DD15101300	Ceramic 100pF ±5%
CM03	1	DF15152350	Film 0.0015μF ±5%
CM04	1	DF15152350	Film 0.0015μF ±5%
CM05	1	EA47700890	Elect 470μF 6V
CM06	1	EA47700690	Elect 470μF 6V
CM07	1	EA47503590	Elect 4.7μF 35V
CM08	1	EA47503590	Elect 4.7μF 35V
CM09	1	DD15560300	Ceramic 56pF ±5%
CM10	1	DD15560300	Ceramic 56pF ±5%
CM11	1	EA47700690	Elect 470μF 6.3V
CM12	1	EA47700690	Elect 470μF 6.3V
CM13	1	DF15102300	Film 0.001μF ±5%
CM14	1	DF15102300	Film 0.001μF ±5%
CM15	1	EQ10603510	Elect 10μF 35V
CM16	1	EQ10603510	Elect 10μF 35V
CM17	1	DF17474510	Film 0.47μF ±20%
CM18	1	DF17474510	Film 0.47μF ±20%
CM19	1	EA47601690	Elect 47μF 16V
CM20	1	EA47601690	Elect 47μF 16V
CM21	1	EA22701690	Elect 220μF 16V
CM22	1	EA22701690	Elect 220μF 16V
PM01-RESISTORS (All Resistors are ±5% and ¼W)			
RM01	1	GD05033140	3.3Ω
RM02	1	GD05033140	3.3Ω
RM03	1	GD05221140	220Ω
RM04	1	GD05221140	220Ω
RM05	1	GM21422110	2.21KΩ ±2%
RM06	1	GM21422110	2.21KΩ ±2%
RM07	1	GD05163140	16KΩ
RM08	1	GD05163140	16KΩ
RM09	1	GD05220140	22Ω
RM10	1	GD05220140	22Ω

REF. DESIG.	Q'TY	PART NO.	DESCRIPTION
	F		
RM11	1	GD05152140	1.5K Ω
RM12	1	GD05152140	1.5K Ω
RM13	1	GD05121140	120 Ω
RM14	1	GD05121140	120 Ω
RM15	1	GD05153140	15K Ω
RM16	1	GD05153140	15K Ω
RM17	1	GD05152140	1.5K Ω
RM18	1	GD05152140	1.5K Ω
RM19	1	GG05220140	22 Ω
RM20	1	GG05220140	22 Ω
RM21	1	GG05220140	22 Ω
RM22	1	GG05220140	22 Ω
RM23	1	GD05471140	470 Ω
RM24	1	GD05471140	470 Ω
RM25	1	GD05103140	10K Ω
RM26	1	GD05103140	10K Ω
RM27	1	GD05470140	47 Ω
RM28	1	GD05470140	47 Ω
RM29	1	GD05470140	47 Ω
RM30	1	GD05470140	47 Ω
RM31	1	GD05223140	22K Ω
RM32	1	GD05223140	22K Ω
RM33	1	GD05273140	27K Ω
RM34	1	GD05273140	27K Ω
PM01-SEMICONDUCTORS			
QM01	1	HF201472A0	F.E.T. 2SK147(GR:BL)
QM02	1	HF201472A0	F.E.T. 2SK147(GR:BL)
QM03	1	HT109701A0	Transistor 2SA970(GR)
QM04	1	HT109701A0	Transistor 2SA970(GR)
QM05	1	HT406661C0	Transistor 2SD666(C)
QM06	1	HT406661C0	Transistor 2SD666(C)
QM07	1	HT206461C0	Transistor 2SB646(C)
QM08	1	HT206461C0	Transistor 2SB646(C)
QM09	1	HV00006120	Varistor MV203(Y)
QM10	1	HV00006120	Varistor MV203(Y)
QM11	1	HT403132P0	Transistor 2SD313(D or E)
QM12	1	HT205072P0	Transistor 2SB507(D or E)
PM01-SWITCH			
SM01	1	SP04010300	Push Switch
PN00			
PN00	1	YG24630010	P.W. Board, Speaker Protector
PN00-CAPACITORS			
CN01	1	EA10505090	Elect 1 μ F 50V
CN02	1	EE22601640	Elect 22 μ F 16V
CN03	1	EA10701090	Elect 100 μ F 10V
PN00-RESISTORS (All Resistors are \pm 5% and $\frac{1}{4}$ W)			
RN01	1	GA05391020	390 Ω 2W
RN02	1	GG05183120	18K Ω $\frac{1}{4}$ W
RN03	1	GD05473140	47K Ω
RN04	1	GD05564140	560K Ω
RN05	1	GD05104140	100K Ω
RN06	1	GD05393140	39K Ω
RN07	1	GG05183120	18K Ω $\frac{1}{4}$ W
RN08	1	GD05562140	5.6K Ω
RN09	1	GD05823140	82K Ω
RN10	1	GD05823140	82K Ω

REF. DESIG.	Q'TY	PART NO.	DESCRIPTION
	F		
RN13	1	GA05222020	2.2K Ω 2W
RN14	1	GA05222020	2.2K Ω 2W
RN15	1	GA05331020	330 Ω 2W
RN16	1	GA05331020	330 Ω 2W
RN17	1	GA05151010	150 Ω 1W
RN18	1	GA05151010	150 Ω 1W
PN00-SEMICONDUCTORS			
QN01	1	HD20005010	Diode W06B
QN02	1	HD30022090	Zener BZ-120
QN03	1	HD30022090	Zener BZ-120
QN04	1	HD30022090	Zener BZ-120
QN05	1	HD30022090	Zener BZ-120
QN06	1	HC10042050	IC TA7317P
QN07	1	HD20005010	Diode W06B
QN08	1	HD20005010	Diode W06B
QN09	1	HD20005010	Diode W06B
PN00-MISCELLANEOUS			
JN01	1	YP06001050	Plug, (5P)
JN02	1	YP06001040	Plug, (3P)
JN03	1	YP06001050	Plug, (5P)
JN04	1	YP06001050	Plug, (5P)
LN01	1	LY20480020	Relay
LN02	1	LY20480020	Relay
LN03	1	LY40480030	Relay
PV00	1	YF29780020	P.W. Board, RCA Pin Jack
PV00-CAPACITOR			
CV01	1	DK18473320	Ceramic 0.047 μ F +100% -0
PV00-JACK			
JV01	1	YT02040290	Terminal, Phone 1, 2
JV02	1	YT02040200	Terminal, Tuner/Aux
JV03	1	YT02040200	Terminal, Tape 1 In/Out
JV04	1	YT02040200	Terminal, Tape 2 In/Out
JV05	1	YT02020190	Terminal, Scope Out
JV06	1	YT02040220	Terminal, Pre Out/Main In
PW00	1	YH24621220	P.W. Board, Output Switch
SW01	1	SP02020380	Push Switch, Output 1
SW02	1	SP02020380	Push Switch, Output 2

(W01-99)	Assembly and Wiring
(T01-99)	Adjustment
(X01-00)	Correction

ST-8 目次

規格	21
分解図およびパーツリスト	22
[C01-99] FRONT PANEL	22
[C02-99] TOP COVER	23
[C03-99] REAR PANEL	24
[P01-99] FRONT CHASSIS AND GENERAL PARTS	25
[P02-99] SCOPE DIAL AND P.W. BOARD	26
[P03-99] MAIN CHASSIS AND P.W. BOARD	27-28
[H01-99] PACKING MATERIALS	29
電気部品リスト	30-38

ST-8 規格

<FM部>

受信周波数範囲	76~90MHz
50dBクワイエットイング感度(モノラル)	14.1dBf/2.8 μ V
(ステレオ)	34.2dBf/28 μ V
IHF感度	9.3dBf/1.6 μ V
クワイエットイングスロープ20dBf	58dB
" 25dBf	64dB
" 40dBf	76dB
S/N比(モノラル)	84dB
" (ステレオ)	80dB
高調波歪率(モノラル・ワイド/ナロー)	0.04%/0.07%
(ステレオ・ワイド/ナロー)	0.06%/0.08%
実効選択度(ワイド/ナロー)	50dB/90dB
キャプチャーレシオ(ワイド/ナロー)	0.8dB/1.2dB
イメージ除去比	120dB
中間周波妨害比	120dB
AM抑圧比	70dB
周波数特性(30Hz~15kHz)	+0.2dB, -1dB
ステレオセパレーション100Hz	48dB
" 1kHz	55dB
" 10kHz	45dB

<AM部>

受信周波数範囲	535~1605kHz
感度	10 μ V
選択度	60dB
イメージ除去比	80dB
S/N比	55dB

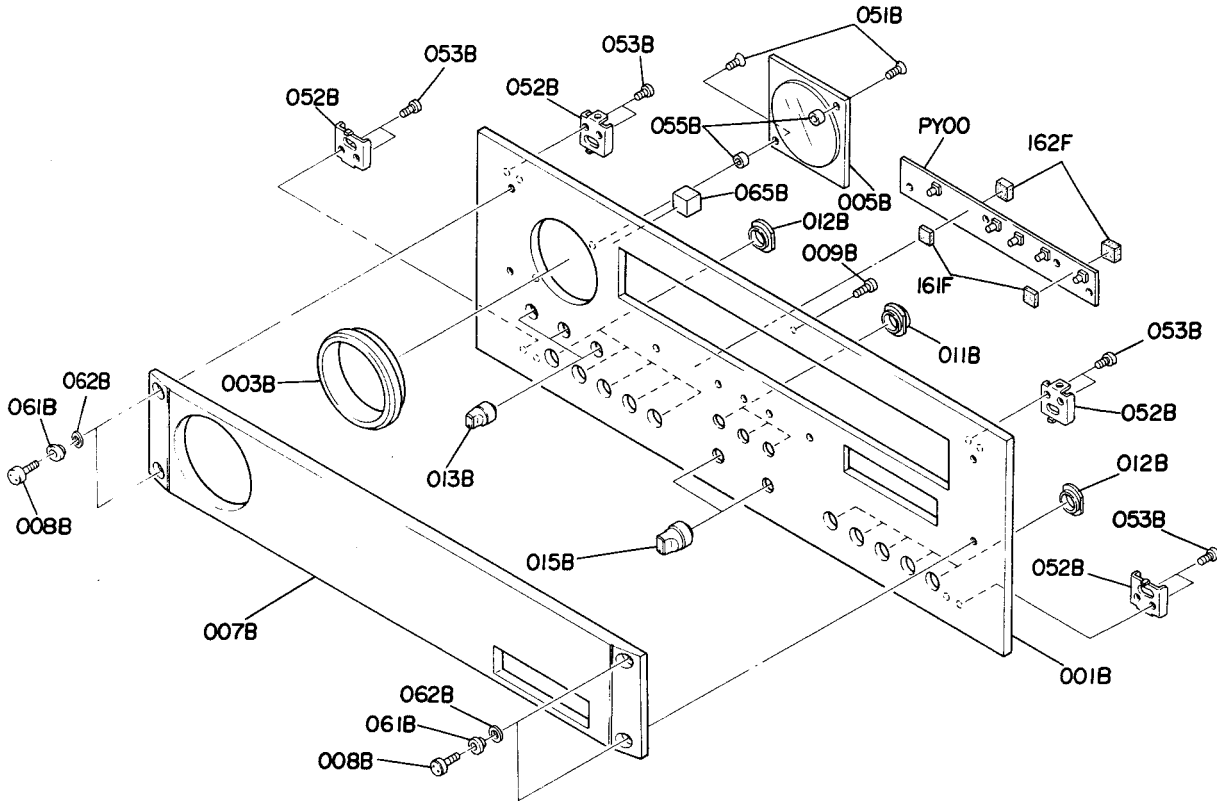
その他

電源	100V 50/60Hz
消費電力	30W
外形寸法(W・H・D)	416mm×146mm×302mm
重量(セット単体)	9kg

*本機の規格および外観は改良のため予告なく変更することがありますが、ご了承ください。

分解図およびパーツリスト

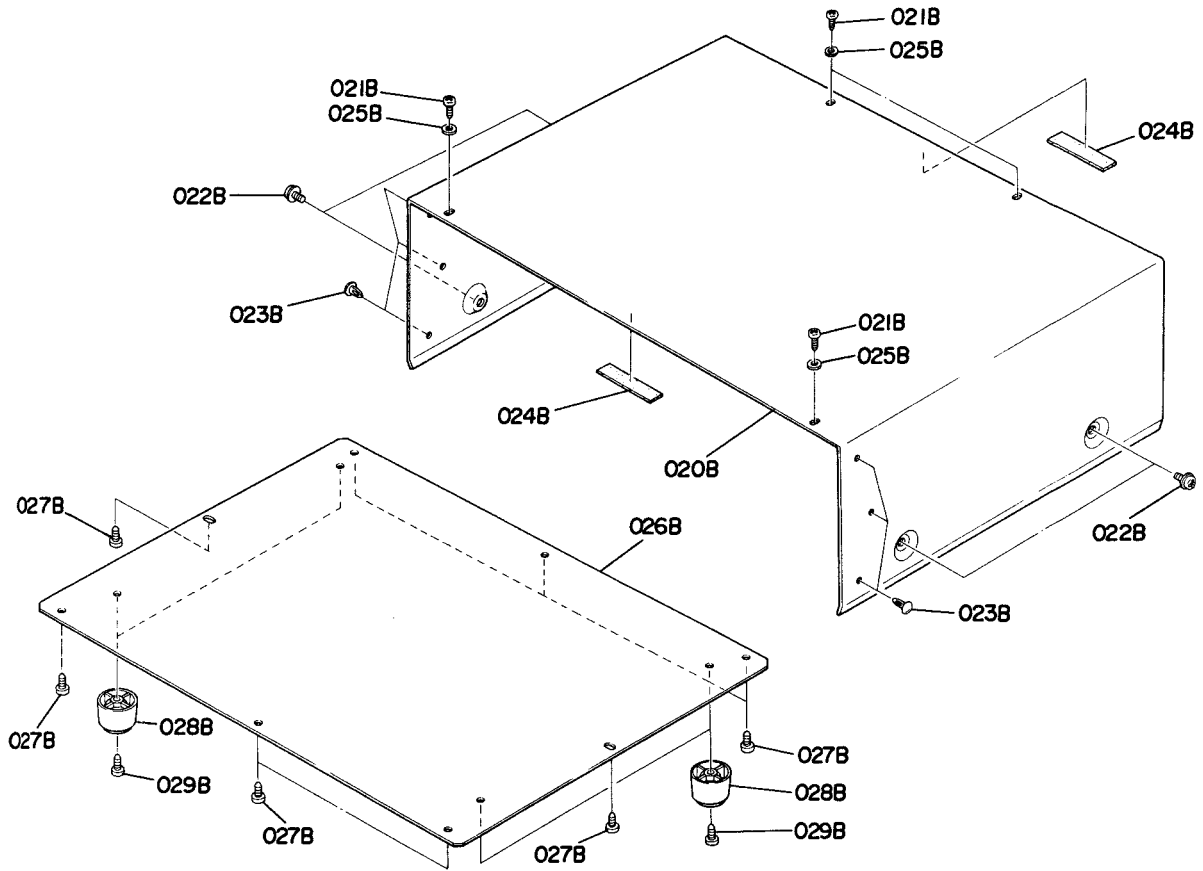
[C01-99] FRONT PANEL



REF. DESIG.	Q'TY F	PART NO.	DESCRIPTION
A	1	2491063400	Front Panel Assembly
001B	1	2491063010	Escutcheon, Front Panel
003B	1	2491353010	Ring
005B	1	2491158030	Window
007B	1	2491158020	Window
008B	2	51234019J0	T.H. Head Screw
011B	3	2491259010	Bushing
012B	10	2978259010	Bushing
051B	2	51040308A9	F.H.M. Screw F3 x 8
052B	4	2491104010	Retainer
053B	8	51100304A9	B.H.M. Screw B3 x 4
055B	2	2491055010	Collar
061B	4	2470055010	Collar
062B	4	4214107010	Sheet
065B	1	2491107020	Sheet

REF. DESIG.	Q'TY F	PART NO.	DESCRIPTION
009B	1	51060304A9	P.H.M. Screw P3 x 4
013B	3	2491154010	Knob
015B	2	2491154020	Knob
161F	2	2491107030	Sheet
162F	2	2491107040	Sheet
PY00	1	YG24910020	P.W. Board, Function LED

[C02-99] TOP COVER

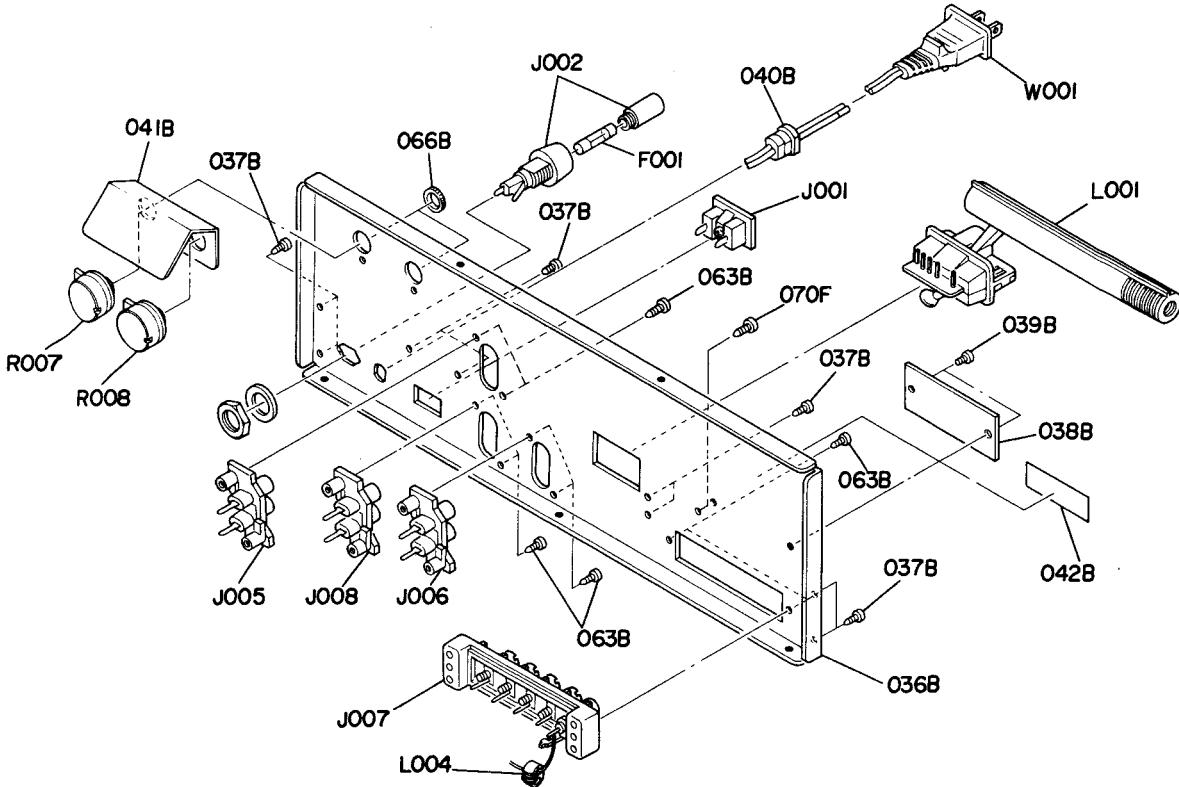


REF. DESIG.	Q'TY F	PART NO.	DESCRIPTION
020B	1	2491257010	Lid, Top Cover
021B	4	51280308U0	B.H. Tapped Screw B3 x 8
022B	4	51480406S9	F. Washer Screw F4 x 6
023B	6	2991259010	Bushing
024B	2	2965118010	Spacer
025B	4	59030805P1	Washer

REF. DESIG.	Q'TY F	PART NO.	DESCRIPTION
026B	1	2216257020	Lid, Bottom Cover
027B	8	51280406U0	B.H. Tapped Screw B4 x 6
028B	4	2932057010	Leg
029B	4	51570410S0	P. TAPT. Screw P4 x 10



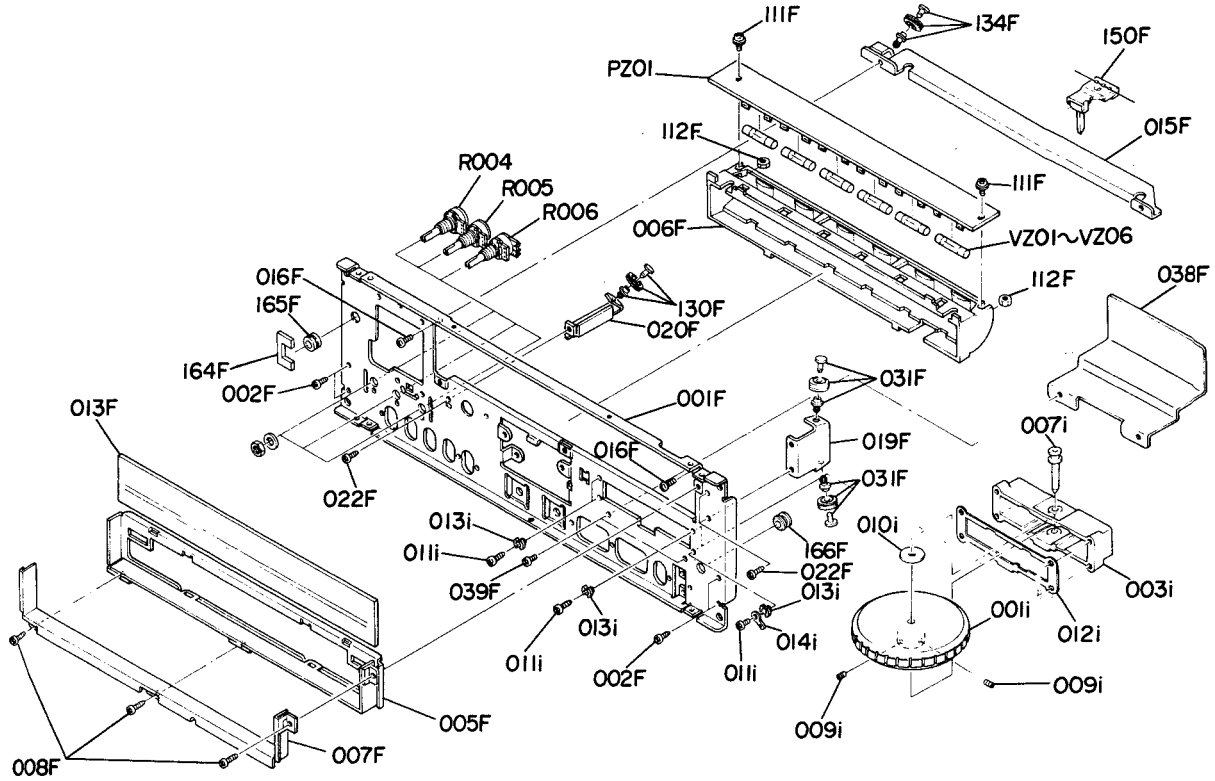
[CO3-99] REAR PANEL



REF. DESIG.	Q'TY F	PART NO.	DESCRIPTION
036B	1	2491160230	Bracket, Rear Panel
037B	8	51280308U0	B.H. Tapped Screw B3 x 8
038B	1	2491265010	Indicator
039B	2	51760306B0	OS Tapped Screw
040B	1	1455259030	Bushing
041B	1	2286120020	Insulator
042B	1	2720265020	Indicator
063B	8	51280308U0	B.H. Tapped Screw B3 x 8
066B	2	53228059E0	S.C. Nut
070F	1	51280306B0	B.H. Tapped Screw B3 x 6

REF. DESIG.	Q'TY F	PART NO.	DESCRIPTION
F001	1	FS10150040	Fuse 1.5A 250V
J001	1	YJ04000560	Jack, AC Outlet
J002	1	YJ08000230	Jack, Fuse Holder
J005	1	YT02020170	Terminal
J006	1	YT02020170	Terminal
J007	1	BY04050010	Terminal, Antenna
J008	1	YT02020170	Terminal
L001	1	LF11200620	Antenna Coil
L004	1	LB30075260	Balun Coil
W001	1	YC02400200	A.C. Power Cord

[P01-99] FRONT CHASSIS AND GENERAL PARTS

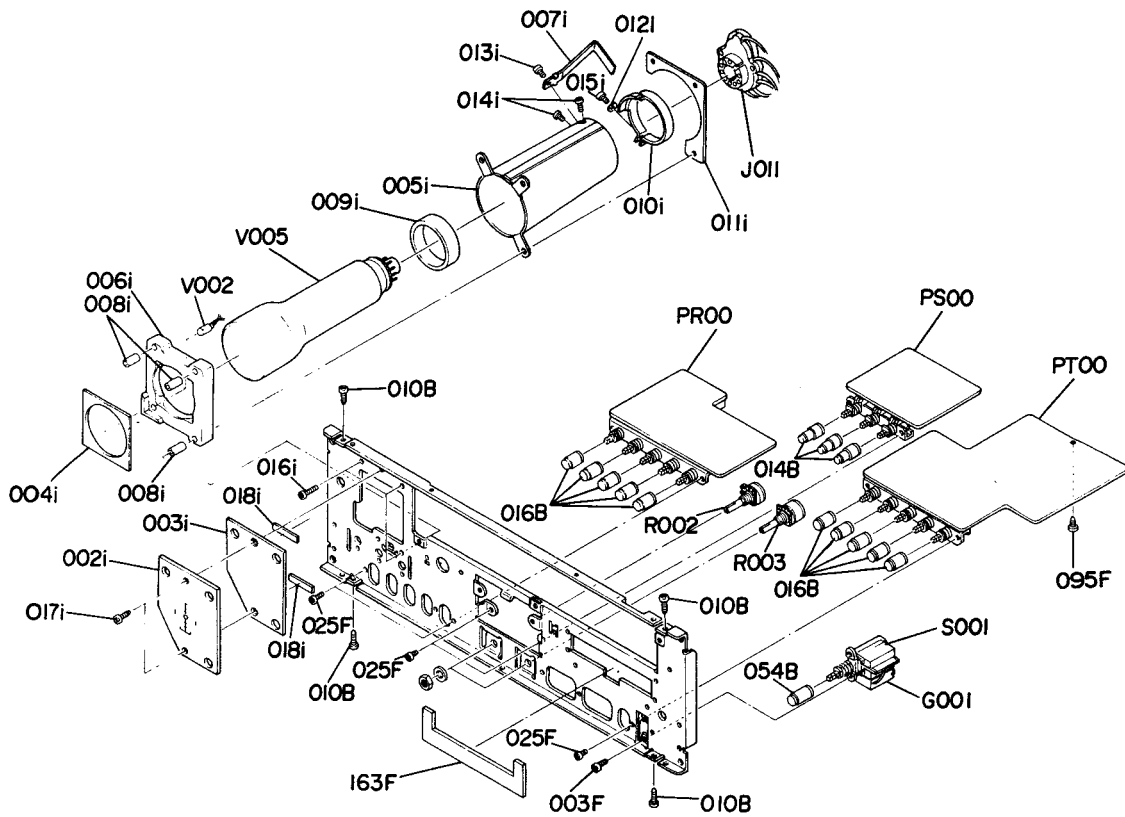


REF. DESIG.	Q'TY F	PARTS NO.	DESCRIPTION
001F	1	2491160010	Bracket, Front Chassis
002F	4	51280306B0	B.H. Tapped Screw B3 x 6
005F	1	2491271010	Holder, Dial
006F	1	2218274010	Reflector
007F	1	2491053010	Cover
008F	3	51280306B0	B.H. Tapped Screw B3 x 6
013F	1	2491302010	Dial
015F	1	2286051010	Guide
016F	2	51100306A9	B.H.M. Screw B3 x 6
019F	1	2286271010	Holder
020F	1	2286271020	Holder
022F	3	51100306A9	B.H.M. Screw B3 x 6
031F	2	2286262500	Pulley (K)
038F	1	2286109050	Shield
039F	2	51100306A9	B.H.M. Screw B3 x 6
111F	2	51100308A9	B.H.M. Screw B3 x 8
112F	2	53110303E9	Hexagon Nut
130F	1	2286262500	Pulley (K)
134F	1	2286262500	Pulley (K)
150F	1	2491103510	Pointer
164F	1	2491109010	Shield
165F	1	2417259010	Bushing
166F	1	4551259010	Bushing

REF. DESIG.	Q'TY F	PART NO.	DESCRIPTION
001i	1	2491273010	Flywheel
003i	1	2219104500	Retainer
007i	1	2219112010	Shaft
009i	2	51690306Q9	Socket Screw, HP 3 x 6
010i	1	59031405G9	Washer
011i	4	51280308B0	B.H. Tapped Screw B3 x 8
012i	1	2286120010	Insulator
013i	4	2219259030	Bushing
014i	1	62030039W0	Lug
R004	1	RK01030360	Variable Resistor 10K Ω
R005	1	RK01030360	Variable Resistor 10K Ω
R006	1	RM02540450	Variable Resistor 250K Ω
PZ01	1	YZ22860020	P.W. Board, Dial Illuminator
VZ01 VZ06	6	IN10080070	Lamp 0.2A 8V



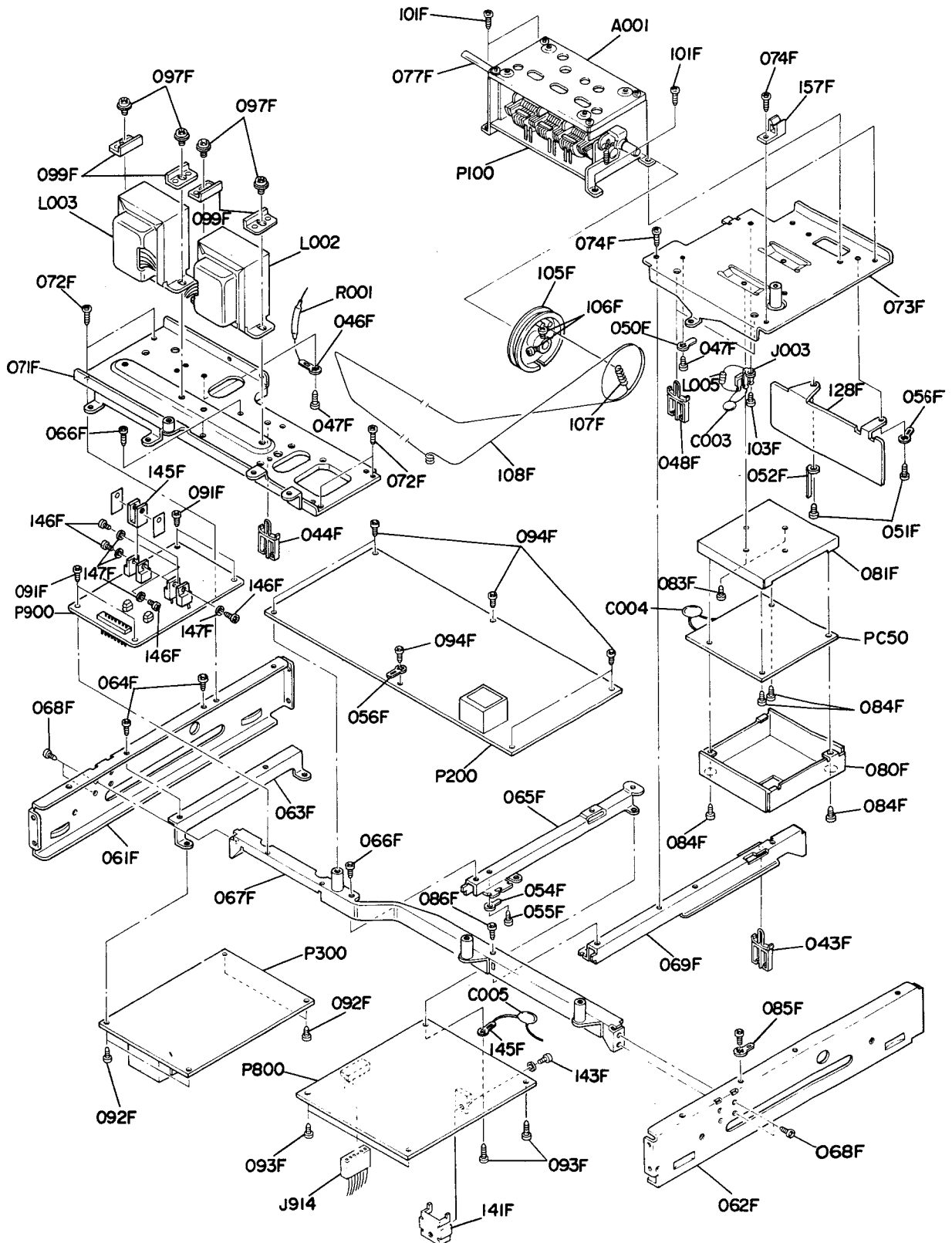
[P02-99] SCOPE DIAL ASSEMBLY AND P.W. BOARD



REF. DESIG.	Q'TY F	PART NO.	DESCRIPTION
010B	4	51280306B0	B.H. Tapped Screw B3 x 6
014B	3	2491154030	Knob
016B	10	2462154020	Knob
054B	1	2491154060	Knob, Power Switch
003F	2	51100306A9	B.H.M. Screw B3 x 6
025F	6	51100306A9	B.H.M. Screw B3 x 6
095F	1	51280306B0	B.H. Tapped Screw B3 x 6
163F	1	2491107050	Sheet
002i	1	2491302020	Dial, Scope
003i	1	2491303020	Mask
004i	1	2286053030	Cover
005i	1	2219109010	Shield
006i	1	2219357010	Rod, Scope Pad
007i	1	2286005010	Clamper
008i	3	2219055020	Collar
009i	1	2904056020	Buffer
010i	1	2904005030	Clamper
011i	1	2207005010	Clamper

REF. DESIG.	Q'TY F	PART NO.	DESCRIPTION
012i	1	54020301S0	Flat Washer, P.
013i	1	51100308S9	B.H.M. Screw B3 x 8
014i	2	51100304S9	B.H.M. Screw B3 x 4
015i	1	51100305S9	B.H.M. Screw B3 x 5
016i	3	51100316S9	B.H.M. Screw B3 x 16
017i	2	51280308B0	B.H. Tapped Screw B3 x 8
018i	2	2232118300	Spacer
G001	1	BF10400030	Spark Killer 0.1μF + 120Ω
J011	1	YJ05000180	Jack, CRT Socket
R002	1	RM02030080	Variable Resistor 20KΩ
R003	1	RK12030110	Variable Resistor 20KΩ
S001	1	SP01010240	Push Switch, Power
V002	1	IN10080340	Lamp
V005	1	VB00235010	Picture Tube

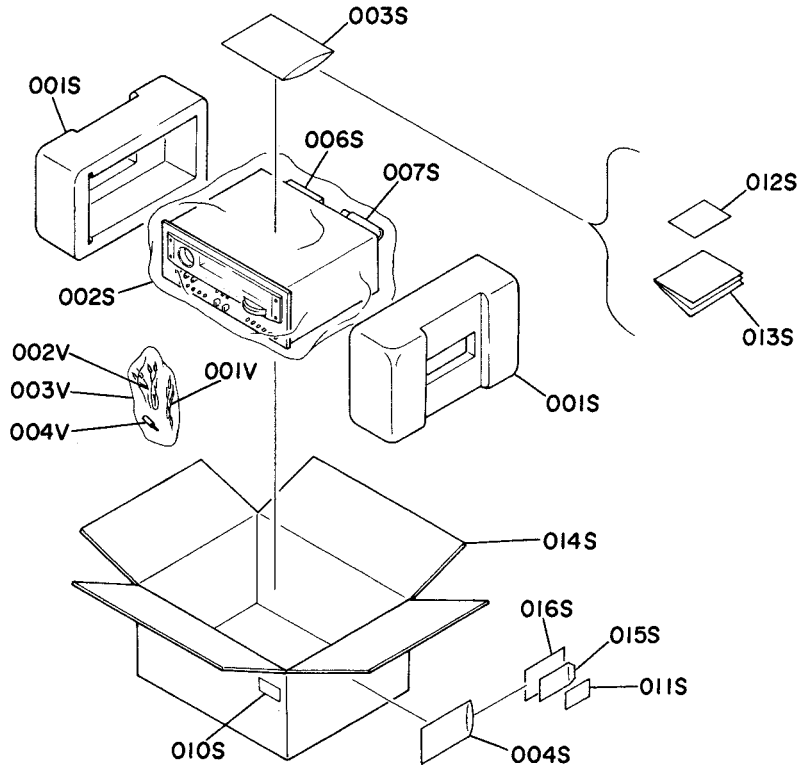
[P03-99] MAIN CHASSIS AND P.W. BOARD



REF. DESIG.	Q'TY	PART NO.	DESCRIPTION
	F		
043F	1	2886005030	Clamper
044F	1	2886005030	Clamper
046F	1	62030049W0	Lug
047F	2	51280306B0	B.H. Tapped Screw B3 x 6
048F	2	2886005030	Clamper
050F	1	62030049W0	Lug
051F	2	51280306B0	B.H. Tapped Screw B3 x 6
052F	1	1382005030	Clamper
054F	1	62030049W0	Lug
055F	1	51570406B0	P. TAPT. Screw P4 x 6
056F	2	62030049W0	Lug
061F	1	2216105020	Chassis (L)
062F	1	2216105030	Chassis (R)
063F	1	2286126020	Stay
064F	3	51280306B0	B.H. Tapped Screw B3 x 6
065F	1	2286126040	Stay
066F	3	51280306B0	B.H. Tapped Screw B3 x 6
067F	1	2286126010	Stay, Front
068F	4	51280306B0	B.H. Tapped Screw B3 x 6
069F	1	2286126030	Stay, Main
071F	1	2286105010	Chassis, Main
072F	4	51280306B0	B.H. Tapped Screw B3 x 6
073F	1	2286105020	Chassis, Sub
074F	3	51280306B0	B.H. Tapped Screw B3 x 6
077F	1	4220005030	Clamper
080F	1	2286053110	Cover
081F	1	2286053120	Cover
083F	2	51280306B0	B.H. Tapped Screw B3 x 6
084F	4	51280306B0	B.H. Tapped Screw B3 x 6
085F	1	62030049W0	Lug
086F	1	51280308B0	B.H. Tapped Screw B3 x 8
091F	4	51280306B0	B.H. Tapped Screw B3 x 6
092F	4	51280306B0	B.H. Tapped Screw B3 x 6
093F	4	51280306B0	B.H. Tapped Screw B3 x 6
094F	6	51280308B0	B.H. Tapped Screw B3 x 8
097F	4	51470408A9	L. Washer Screw L4 x 8
099F	4	2896104010	Retainer
101F	4	51280306B0	B.H. Tapped Screw B3 x 6
103F	1	51280306B0	B.H. Tapped Screw B3 x 6
105F	1	2219159010	Drum
106F	2	51064019A9	P.H.M. Screw
107F	1	71101689L0	Spring
128F	1	2286109080	Shield
141F	1	2963267020	Heatsink
143F	2	51280306U0	B.H. Tapped Screw B3 x 6
145F	2	2219267040	Heatsink
145F	1	62030049W0	Lug
146F	4	50020305B9	Screw
147F	4	54040302A0	Spring Washer
157F	2	2887005110	Clamper
108F	1	72071605A0	String (150)

REF. DESIG.	Q'TY	PART NO.	DESCRIPTION
	F		
C003	1	DK18403020	Ceramic Cap. 0.047 μ F
C004	1	DK18403320	Ceramic Cap. 0.047 μ F
C005	1	DK18104010	Ceramic Cap. 0.1 μ F +100% -0
J003	1	YL01030210	Terminal, (3P)
L002	1	TS15713030	Power Transformer
L003	1	TS15713060	Power Transformer
L005	1	LC13320020	Choke Coil
R001	1	GD05225140	Resistor 2.2M Ω
P100	1	YF22860010	P.W. Board, FM Front End
A001	1	AV11201020	V.H.F. Tuner, Front End
P200	1	YG22860010	P.W. Board, AM Tuner/FM IF Det
P300	1	YG22860020	P.W. Board, MPX
P800	1	YG22860030	P.W. Board, Power Supply
P900	1	YK22190310	P.W. Board, Scope Amp.
J914	1	YJ06001310	Jack, (6P)
PC50	1	YK22860220	P.W. Board, Quartz Lock

[H01-99] PACKING MATERIALS



REF. DESIG.	Q'TY	PART NO.	DESCRIPTION
	F		
001S	2	2965809010	Cushion
002S	1	9014335330	Polyethy Bag
003S	1	9013025010	Polyethy Bag
004S	1	9011325010	Polyethy Bag
006S	1	2864804010	Sleeve
007S	1	2819056010	Buffer
010S	1	9526019040	Serial NO Card
011S	1	9641000020	Register Card
012S	1	2491851010	Price Card
013S	1	2491851110	Instructions

REF. DESIG.	Q'TY	PART NO.	DESCRIPTION
	F		
014S	1	2491801010	Packing Case
015S	1	2976813010	Envelope
016S	1	2976851040	Instructions
001V	1	ZA02000070	EXT. Antenna
002V	1	ZD01500160	Connective Cord
003V	1	9013025010	Polyethy Bag
004V	1	YP90000140	Plug

電気部品リスト

REF. DESIG.	Q'TY	PART NO.	DESCRIPTION
	F		
P100	1	YF22860010	P.W. Board, FM Front End
P100-CAPACITORS			
C101	1	DD15150370	Ceramic 15pF ±5%
C102	1	DD15470030	Ceramic 47pF ±5%
C103	1	DD15101370	Ceramic 100pF ±5%
C104	1	DK18223320	Ceramic 0.022μF
C105	1	DK18223320	Ceramic 0.022μF
C106	1	DK18223320	Ceramic 0.022μF
C107	1	DD15180300	Ceramic 18pF ±5%
C108	1	DD15180300	Ceramic 18pF ±5%
C109	1	DK18223320	Ceramic 0.022μF
C110	1	DD15101370	Ceramic 100pF ±5%
C111	1	DK18223320	Ceramic 0.022μF +100%-0
C112	1	DK18223320	Ceramic 0.022μF
C113	1	DK18223320	Ceramic 0.022μF
C114	1	DD11100370	Ceramic 10pF ±0.5pF
C115	1	DD15150300	Ceramic 15pF ±5%
C116	1	DD10050370	Ceramic 5pF ±0.25pF
C117	1	DK16102300	Ceramic 1000pF ±10%
C118	1	DK16102300	Ceramic 1000pF ±10%
C119	1	DK18102300	Ceramic 1000pF +100%-0
C120	1	DD15470030	Ceramic 47pF ±5%
C121	1	DD11100300	Ceramic 10pF ±0.5pF
C122	1	DD15120310	Ceramic 12pF ±5%
C123	1	DD10010370	Ceramic 1pF ±0.25pF
C124	1	DD15180310	Ceramic 18pF ±5%
C125	1	DD10040300	Ceramic 4pF ±0.25pF
C126	1	DK17102370	Ceramic 1000pF ±20%
C127	1	DK17102370	Ceramic 1000pF ±20%
A001	1	AV11202020	Front End
P100-RESISTORS (All Resistors are ±5% and ¼W)			
R101	1	GD05473140	47KΩ
R102	1	GD05104140	100KΩ
R103	1	GD05105140	1MΩ
R104	1	GD05104140	100KΩ
R105	1	GD05101140	100Ω
R106	1	GD05101140	100Ω
R107	1	GD05182140	1.8KΩ
R108	1	GD05473140	47KΩ
R109	1	GD05102140	1KΩ
R110	1	GD05153140	15KΩ
R111	1	GD05101140	100Ω
R112	1	GD05101140	100Ω
R113	1	GD05473140	47KΩ
R114	1	GD05561140	560Ω
R115	1	GD05101140	100Ω
R116	1	GD05101140	100Ω
R117	1	GD05153140	15KΩ
R118	1	GD05101140	100Ω
R119	1	GD05122140	1.2KΩ
R120	1	GD05472140	4.7KΩ
R121	1	GD05103140	10KΩ
R122	1	GD05473140	47KΩ
R123	1	GD05473140	47KΩ

REF. DESIG.	Q'TY	PART NO.	DESCRIPTION
	F		
P100-SEMICONDUCTORS			
Q101	1	HF400591A0	F.E.T. 3SK59
Q102	1	HF400591A0	F.E.T. 3SK59
Q103	1	HF400591A0	F.E.T. 3SK59
Q104	1	HT307101C0	Transistor 2SC710(C)
Q105	1	HD40012090	Varicap 1S2687
P100-JACK			
J101	?	YJ06001150	Jack
J105	5		
P200	1	YG22860010	P.W. Board, AM Tuner/FM IF Det
P200-CAPACITORS			
CB01	1	DK18403320	Ceramic 0.04μF +100%-0
CB02	1	DK18403320	Ceramic 0.04μF +100%-0
CB03	1	EA10505090	Elect 1μF 50V
CB04	1	EA10701690	Elect 100μF 16V
CB05	1	DK18403320	Ceramic 0.04μF +100%-0
CB06	1	DK18403320	Ceramic 0.04μF +100%-0
CB07	1	DK18223310	Ceramic 0.022μF +100%-0
CB08	1	DK18223310	Ceramic 0.022μF +100%-0
CB09	1	DK18403320	Ceramic 0.04μF +100%-0
CB20	1	DD10050300	Ceramic 5pF ±0.25pF
C151	1	DF17103300	Film 0.01μF ±20%
C152	1	DF15391010	Film 390pF ±5%
C153	1	DF17403010	Film 0.04μF ±20%
C154	1	DF17102310	Film 0.001μF ±20%
C155	1	DF17103010	Film 0.01μF ±20%
C156	1	DK18403320	Ceramic 0.04μF +100%-0
C157	1	DD11100370	Ceramic 10pF ±0.5pF
C158	1	DF17103300	Film 0.01μF ±20%
C159	1	EA10701690	Elect 100μF 16V
C160	1	DF17393300	Film 0.039μF ±20%
C161	1	EA33502590	Elect 3.3μF 25V
C162	1	DF17473300	Film 0.047μF ±20%
C163	1	EA47503590	Elect 4.7μF 35V
C164	1	DK17102010	Ceramic 0.001μF ±20%
C165	1	DF17103300	Film 0.01μF ±20%
C166	1	DK17103300	Ceramic 0.01μF ±20%
C167	1	EA10701690	Elect 100μF 16V
C168	1	EE10405040	Elect 0.1μF 50V
C169	1	DK17462300	Ceramic 0.0047μF ±10%
C201	1	DK18223310	Ceramic 0.022μF +100%-0
C202	1	DK18223310	Ceramic 0.022μF +100%-0
C203	1	DK18403320	Ceramic 0.04μF +100%-0
C204	1	DK18403320	Ceramic 0.04μF +100%-0
C205	1	DK18223310	Ceramic 0.022μF +100%-0
C206	1	DK18223310	Ceramic 0.022μF +100%-0
C207	1	DK18223310	Ceramic 0.022μF +100%-0
C208	1	DK18223310	Ceramic 0.022μF +100%-0
C209	1	DK18223310	Ceramic 0.022μF +100%-0
C210	1	DK18223310	Ceramic 0.022μF +100%-0

REF. DESIG.	Q'TY	PART NO.	DESCRIPTION
	F		
C211	1	DK18223310	Ceramic 0.022μF +100%—0
C212	1	DK18223310	Ceramic 0.022μF +100%—0
C213	1	DK18223310	Ceramic 0.022μF +100%—0
C214	1	DK18223310	Ceramic 0.022μF +100%—0
C215	1	DK18223310	Ceramic 0.022μF +100%—0
C216	1	DK18403320	Ceramic 0.04μF +100%—0
C218	1	DK18223310	Ceramic 0.022μF +100%—0
C219	1	DK18403320	Ceramic 0.04μF +100%—0
C220	1	DK18223310	Ceramic 0.022μF +100%—0
C221	1	DK18223310	Ceramic 0.022μF +100%—0
C222	1	DK18223310	Ceramic 0.022μF +100%—0
C223	1	DK18403320	Ceramic 0.04μF +100%—0
C224	1	DK18223310	Ceramic 0.002μF +100%—0
C225	1	DK18223310	Ceramic 0.002μF +100%—0
C226	1	DK18223310	Ceramic 0.002μF +100%—0
C227	1	DK18223310	Ceramic 0.002μF +100%—0
C228	1	DK18223310	Ceramic 0.002μF +100%—0
C229	1	DK18223310	Ceramic 0.002μF +100%—0
C231	1	EA47602590	Elect 47μF 25V
C232	1	DK18223310	Ceramic 0.022μF +100%—0
C233	1	DK16221300	Ceramic 220pF ±10%
C234	1	EA47503590	Elect 4.7μF 35V
C235	1	DK16221300	Ceramic 220pF ±10%
C236	1	DK16221300	Ceramic 220pF ±10%
C237	1	DK18403320	Ceramic 0.04μF +100%—0
C238	1	DK18403320	Ceramic 0.04μF +100%—0
C239	1	DK18223310	Ceramic 0.022μF +100%—0
C240	1	DK16221300	Ceramic 220pF ±10%
C241	1	DK18223310	Ceramic 0.022μF +100%—0
C242	1	DK18223310	Ceramic 0.022μF +100%—0
C243	1	DK18223310	Ceramic 0.022μF +100%—0
C244	1	DK18223310	Ceramic 0.022μF +100%—0
C245	1	DK18223310	Ceramic 0.022μF +100%—0
C246	1	DK18223310	Ceramic 0.022μF +100%—0
C247	1	DK18403320	Ceramic 0.04μF +100%—0
C248	1	DK18223310	Ceramic 0.022μF +100%—0
C249	1	DF55152030	Film 1500pF ±5%
C250	1	DF55681010	Film 680pF ±5%
C251	1	DF55911010	Film 910pF ±5%
C252	1	DF55471010	Film 470pF ±5%
C253	1	DF15102300	Film 0.001μF ±5%
C254	1	EA10701690	Elect 100μF 16V
C255	1	EA10701690	Elect 100μF 16V
C256	1	DK18223310	Ceramic 0.022μF +100%—0
C257	1	DK18223310	Ceramic 0.022μF +100%—0
C258	1	DK16221300	Ceramic 220pF ±10%
C259	1	EV22403560	Elect 0.22μF 35V
C260	1	DK18403320	Ceramic 0.04μF +100%—0
C261	1	DK18223310	Ceramic 0.022μF +100%—0
C262	1	DK18223310	Ceramic 0.022μF +100%—0
C263	1	DK16221300	Ceramic 220pF ±10%
C264	1	EA10505090	Elect 1μF 50V
C265	1	DK18223310	Ceramic 0.022μF +100%—0
C266	1	DK18223310	Ceramic 0.022μF +100%—0
C203	1	DK18223310	Ceramic 0.002μF +100%—0

REF. DESIG.	Q'TY	PART NO.	DESCRIPTION
	F		
C267	1	DK18223310	Ceramic 0.022μF +100%—0
C268	1	DK18223310	Ceramic 0.022μF +100%—0
C269	1	DK16221300	Ceramic 220pF ±10%
C270	1	DK18223310	Ceramic 0.022μF +100%—0
C271	1	DK16221300	Ceramic 220pF ±10%
C272	1	EA10505090	Elect 1μF 50V
C273	1	DK18223310	Ceramic 0.022μF +100%—0
C274	1	DK16221300	Ceramic 220pF ±10%
C275	1	DK16221300	Ceramic 220pF ±10%
C276	1	DK18223310	Ceramic 0.022μF +100%—0
C278	1	DK18223310	Ceramic 0.022μF +100%—0
C279	1	EE10405040	Elect 0.1μF 50V
C280	1	DK18223310	Ceramic 0.022μF +100%—0
C281	1	DK18223310	Ceramic 0.022μF +100%—0
C282	1	DK18223310	Ceramic 0.022μF +100%—0
C283	1	DK18223310	Ceramic 0.022μF +100%—0
C284	1	DK18223310	Ceramic 0.022μF +100%—0
C285	1	DK18223310	Ceramic 0.022μF +100%—0
C286	1	DK18223310	Ceramic 0.022μF +100%—0
C287	1	DK18223310	Ceramic 0.022μF +100%—0
C288	1	DK16221300	Ceramic 220pF ±10%
C289	1	EE10405040	Elect 0.1μF 50V
C290	1	EA10601690	Elect 10μF 16V
C291	1	DK16221300	Ceramic 220pF ±10%
C292	1	DK16221300	Ceramic 220pF ±10%
C293	1	EA10505090	Elect 1μF 50V
C294	1	CT15000010	Trimming 50pF
C295	1	DK18403320	Ceramic 0.04μF +100%—0
C296	1	DK18223310	Ceramic 0.022μF +100%—0
C297	1	DK18223310	Ceramic 0.022μF +100%—0
C298	1	DK18223310	Ceramic 0.022μF +100%—0
C299	1	DK18403320	Ceramic 0.04μF +100%—0
P200-RESISTORS (All Resistors are ±5% and ¼W)			
RB01	1	GD05273140	27KΩ
RB03	1	GD05473140	47KΩ
RB04	1	GD05102140	1KΩ
RB05	1	GD05102140	1KΩ
RB06	1	GD05102140	1KΩ
RB07	1	GD05102140	1KΩ
RB08	1	GD05104140	100KΩ
RB09	1	GD05104140	100KΩ
RB10	1	RA01030250	10KΩ (B) Trimming
RB11	1	RA01030250	10KΩ (B) Trimming
RB12	1	GD05102140	1KΩ
RB13	1	GD05103140	10KΩ
RB14	1	GD05562140	5.6KΩ
RB15	1	GD05102140	1KΩ
RB16	1	GD05102140	1KΩ
RB17	1	GD05102140	1KΩ
RB18	1	GD05101140	100Ω
RB19	1	GD05151140	150Ω
RB20	1	GD05822140	8.2KΩ
RB21	1	GD05153140	15KΩ

REF. DESIG.	Q'TY	PART NO.	DESCRIPTION
	F		
RB22	1	GD05102140	1K Ω
RB23	1	GD05103140	10K Ω
RB24	1	GD05101140	100 Ω
RB25	1	GD05223140	22K Ω
RB26	1	GD05104140	100K Ω
RB27	1	RA02540010	250K Ω (B) Trimming
RB28	1	GD05564140	560K Ω
RB29	1	GD05821140	820 Ω
RB30	1	GD05821140	820 Ω
RB31	1	GD05682140	6.8K Ω
RB32	1	GD05682140	6.8K Ω
RB33	1	GD05223140	22K Ω
RB34	1	GG05100140	10 Ω
RB35	1	GD05562140	5.6K Ω
RB36	1	GD05223140	22K Ω
RB37	1	GD05101140	100 Ω
RB39	1	GD05102140	1K Ω
RB40	1	GG05510140	51 Ω
RB42	1	GD05473140	47K Ω
RB43	1	GD05101140	100 Ω
RB44	1	GD05184140	180K Ω
RB45	1	GD05102140	1K Ω
RB46	1	GD05472140	4.7K Ω
RB47	1	RA01040180	100K Ω (B) Trimming
RB48	1	GG05510140	51 Ω
RB49	1	GD05221140	220 Ω
RB50	1	GD05102140	1K Ω
RB60	1	GD05223140	22K Ω
R151	1	GD05510140	51 Ω
R152	1	RA01030250	10K Ω (B) Trimming
R153	1	GD05103140	10K Ω
R154	1	GD05103140	10K Ω
R155	1	GD05102140	1K Ω
R156	1	GD05102140	1K Ω
R157	1	GD05201140	200 Ω
R158	1	GG05101140	100 Ω
R160	1	GD05104140	100K Ω
R161	1	GD05103140	10K Ω
R162	1	GD05332140	3.3K Ω
R201	1	GD05331140	330 Ω
R202	1	GD05102140	1K Ω
R203	1	GD05101140	100 Ω
R204	1	GD05102140	1K Ω
R205	1	GD05202140	2K Ω
R206	1	GD05153140	15K Ω
R207	1	GD05201140	200 Ω
R208	1	GD05102140	1K Ω
R209	1	GD05102140	1K Ω
R210	1	GD05102140	1K Ω
R211	1	GD05102140	1K Ω
R212	1	GD05102140	1K Ω
R213	1	GD05101140	100 Ω
R214	1	GD05101140	100 Ω
R215	1	GD05562140	5.6K Ω
R216	1	GD05104140	100K Ω
R217	1	GD05331140	330 Ω
R218	1	GD05101140	100 Ω
R219	1	GD05331140	330 Ω
R220	1	GD05102140	1K Ω

REF. DESIG.	Q'TY	PART NO.	DESCRIPTION
	F		
R221	1	GD05101140	100 Ω
R222	1	GD05101140	100 Ω
R223	1	GD05102140	1K Ω
R224	1	GD05102140	1K Ω
R225	1	GD05102140	1K Ω
R226	1	GD05102140	1K Ω
R227	1	GD05151140	150 Ω
R228	1	GD05152140	1.5K Ω
R229	1	GD05121140	120 Ω
R230	1	GD05302140	3K Ω
R231	1	GD05103140	10K Ω
R232	1	GD05152140	1.5K Ω
R233	1	GD05510140	51 Ω
R234	1	GD05101140	100 Ω
R236	1	GD05821140	820 Ω
R237	1	GD05682140	6.8K Ω
R238	1	GD05821140	820 Ω
R239	1	GD05682140	6.8K Ω
R240	1	GD05331140	330 Ω
R241	1	GD05270140	27 Ω
R242	1	GD05270140	27 Ω
R243	1	GD05331140	330 Ω
R244	1	GD05202140	2K Ω
R245	1	GD05153140	15K Ω
R246	1	GD05201140	200 Ω
R247	1	GD05102140	1K Ω
R248	1	GD05101140	100 Ω
R249	1	GD05102140	1K Ω
R250	1	GD05331140	330 Ω
R251	1	GD05331140	330 Ω
R252	1	GD05101140	100 Ω
R253	1	GD05101140	100 Ω
R254	1	GD05331140	330 Ω
R255	1	GD05331140	330 Ω
R256	1	GD05272140	2.7K Ω
R257	1	GD05272140	2.7K Ω
R258	1	GD05103140	10K Ω
R259	1	GD05183140	18K Ω
R260	1	GD05913140	91K Ω
R261	1	GD05682140	6.8K Ω
R262	1	GD05682140	6.8K Ω
R263	1	GD05823140	82K Ω
R264	1	GD05473140	47K Ω
R265	1	GD05562140	5.6K Ω
R266	1	GD05101140	100 Ω
R267	1	GD05101140	100 Ω
R268	1	GD05101140	100 Ω
R269	1	GD05101140	100 Ω
R270	1	GD05331140	330 Ω
R271	1	GD05153140	15K Ω
R272	1	GD05472140	4.7K Ω
R273	1	GD05102140	1K Ω
R274	1	GD05222140	2.2K Ω
R275	1	GD05392140	3.9K Ω
R276	1	GD05223140	22K Ω

REF. DESIG.	Q'TY	PART NO.	DESCRIPTION
	F		
R277	1	GD05102140	1K Ω
R278	1	GD05152140	1.5K Ω
R279	1	GD05273140	27K Ω
R280	1	GD05473140	47K Ω
R281	1	GD05473140	47K Ω
R282	1	GD05102140	1K Ω
R283	1	GD05272140	2.7K Ω
R284	1	GD05102140	1K Ω
R285	1	GD05153140	15K Ω
R286	1	GD05472140	4.7K Ω
R287	1	GD05102140	1K Ω
R288	1	GD05102140	1K Ω
R289	1	GD05510140	51 Ω
R290	1	GD05102140	1K Ω
R291	1	GD05273140	27K Ω
R292	1	GD05223140	22K Ω
R293	1	GD05473140	47K Ω
R294	1	GD05472140	4.7K Ω
R295	1	GD05153140	15K Ω
R296	1	GD05102140	1K Ω
R297	1	GD05102140	1K Ω
R298	1	GD05101140	100 Ω
R299	1	GD05101140	100 Ω
P200-SEMICONDUCTORS			
Q151	1	HC10019010	IC HA1197
Q152	1	HV00006120	Varistor MV-203
Q201	1	HF200191A0	F.E.T. 2SK19(Y)
Q202	1	HT310471C0	Transistor 2SC1047(C)
Q203	1	HC10019030	IC LA1222
Q204	1	HD20011050	Diode 1S1555
Q205	1	HF200191A0	F.E.T. 2SK19(Y)
Q206	1	HC10017060	IC μ PC1163H
Q207	1	HC10017060	IC μ PC1163H
Q208	1	HC10019030	IC LA1222
Q209	1	HT308291C0	Transistor 2SC829(C)
Q210	1	HT308291C0	Transistor 2SC829(C)
Q211	1	HD20011050	Diode 1S1555
Q212	1	HD20011050	Diode 1S1555
Q213	1	HF200191A0	F.E.T. 2SK19(Y)
Q214	1	HT310471C0	Transistor 2SC1047(C)
Q215	1	HC10019030	IC LA1222
Q216	1	HC10017060	IC μ PC1163H
Q217	1	HT108422A0	Transistor 2SA842(GR or BL)
Q218	1	HT315832B0	Transistor 2SC1583(G or H)
Q219	1	HT308291C0	Transistor 2SC829C
Q220	1	HD10003020	Diode 20A90
Q221	1	HD10003020	Diode 20A90
Q222	1	HD10003020	Diode 20A90
Q223	1	HD10003020	Diode 20A90
Q224	1	HC10011060	IC μ PC555H
Q225	1	HT308291C0	Transistor 2SC829C
Q226	1	HD10003020	Diode 20A90
Q227	1	HD10003020	Diode 20A90
Q228	1	HT308291C0	Transistor 2SC829C

REF. DESIG.	Q'TY	PART NO.	DESCRIPTION
	F		
Q229	1	HD10003020	Diode 20A90
Q230	1	HD10003020	Diode 20A90
Q231	1	HC10019030	IC LA1222
Q232	1	HF200300D0	F.E.T. 2SK30
Q233	1	HT308291C0	Transistor 2SC829C
Q234	1	HT308291C0	Transistor 2SC829C
Q235	1	HD20011050	Diode 1S1555
Q236	1	HD20011050	Diode 1S1555
Q237	1	HD10003020	Diode 20A90
P200-MISCELLANEOUS			
F151	1	FF10045190	Ceramic Filter 455kHz
F201	1	FF31070010	L.C. Filter
F202	1	FF11070550	Ceramic Filter 10.7MHz
F203	1	FF11070540	Ceramic Filter 10.7MHz
F204	1	FF11070540	Ceramic Filter 10.7MHz
F205	1	FF11070550	Ceramic Filter 10.7MHz
F206	1	FF11070530	Ceramic Filter 10.7MHz
L151	1	LA10010190	Ant. Coil, AM RF
L152	1	LO10010480	OSC Coil, AM
L153	1	LI10010720	I.F.T. AM
L154	1	LI10015060	I.F.T. AM
L201	1	LC13320020	Choke Coil 3.3 μ H
L202	1	LI10156060	I.F.T. FM
L203	1	LI10016160	I.F.T. FM
L204	1	LC13320020	Choke Coil 3.3 μ H
L205	1	LI10156170	I.F.T. FM
L206	1	LI10156180	I.F.T. FM
L207	1	LS10290180	M.P.X. Coil
L208	1	LS10290170	M.P.X. Coil
L209	1	LS10290160	M.P.X. Coil
L210	1	LC13320020	Choke Coil 3.3 μ H
L211	1	LC12230020	Choke Coil 22 μ H
L212	1	LI10156190	I.F.T. FM
L213	1	LI10156200	I.F.T. FM
L214	1	LC13320020	Choke Coil 3.3 μ H
P300	1	YG22860020	P.W. Board, MPX
P300-CAPACITORS			
C301	1	EA10601690	Elect 10 μ F 16V
C302	1	DF16222300	Film 0.0022 μ F \pm 10%
C303	1	EA33502590	Elect 3.3 μ F 25V
C304	1	EQ47405010	Elect 0.47 μ F 50V
C305	1	EV33403560	Elect 0.33 μ F 35V
C306	1	EA33502590	Elect 3.3 μ F 25V
C307	1	EV33403560	Elect 0.33 μ F 35V
C308	1	DF17473010	Film 0.047 μ F \pm 20%
C309	1	DF15103050	Film 0.01 μ F \pm 5%
C310	1	DF55102090	Film 0.001 μ F \pm 5%

REF. DESIG.	QTY	PART NO.	DESCRIPTION
	F		
C311	1	DF17473010	Film 0.047 μ F \pm 20%
C312	1	DF17683010	Film 0.068 μ F \pm 20%
C313	1	EA10505090	Elect 1 μ F 50V
C314	1	EA47405090	Elect 0.47 μ F 50V
C315	1	EA47405090	Elect 0.47 μ F 50V
C316	1	EA10701690	Elect 100 μ F 16V
C317	1	EA10701690	Elect 100 μ F 16V
C318	1	DF16152050	Film 0.0015 μ F \pm 10%
C319	1	DF15562050	Film 5600pF \pm 5%
C322	1	DF15562050	Film 5600pF \pm 5%
C323	1	EA10601690	Elect 10 μ F 16V
C324	1	EA10601690	Elect 10 μ F 16V
C325	1	EA10701090	Elect 100 μ F 10V
C326	1	EA10701090	Elect 100 μ F 10V
C327	1	EA22701690	Elect 220 μ F 16V
C328	1	DD11100370	Ceramic 10pF \pm 0.5pF
C329	1	DK18104010	Ceramic 0.1 μ F
C330	1	DK18104010	Ceramic 0.1 μ F
C331	1	DK18104010	Ceramic 0.1 μ F
C332	1	DK18403320	Ceramic 0.04 μ F +100%—0
P300-RESISTORS			
(All Resistors are \pm 5% and $\frac{1}{4}$ W)			
R301	1	DG05102140	1K Ω
R302	1	RA01040220	100K Ω (B) Trimming
R303	1	GD05333140	33K Ω
R304	1	GD05102140	1K Ω
R305	1	GD05680140	68 Ω
R306	1	GD05512140	5.1K Ω
R307	1	GD05392140	3.9K Ω
R308	1	GD05392140	3.9K Ω
R309	1	GD05512140	5.1K Ω
R310	1	GD05561140	560 Ω
R311	1	GD05562140	5.6K Ω
R312	1	GD05272140	2.7K Ω
R313	1	RA04720070	4.7K Ω (B) Trimming
R314	1	GD05224140	220K Ω
R315	1	GD05333140	33K Ω
R316	1	GD05224140	220K Ω
R317	1	GD05682140	6.8K Ω
R318	1	GD05102140	1K Ω
R319	1	GD05104140	100K Ω
R321	1	GD05104140	100K Ω
R322	1	GD05273140	27K Ω
R323	1	GD05104140	100K Ω
R324	1	GD05102140	1K Ω
R325	1	GD05101140	100 Ω
R326	1	GD05333140	33K Ω
R327	1	GD05273140	27K Ω
R328	1	GD05101140	100 Ω
R329	1	GD05101140	100 Ω
R330	1	GD05102140	1K Ω
R331	1	GD05102140	1K Ω

REF. DESIG.	QTY	PART NO.	DESCRIPTION
	F		
R332	1	GD05222140	2.2K Ω
R333	1	GD05302140	3K Ω
R334	1	GD05302140	3K Ω
R335	1	GD05222140	2.2K Ω
R336	1	GD05104140	100K Ω
R337	1	GD05102140	1K Ω
R339	1	GD05123140	12K Ω
R341	1	GD05822140	8.2K Ω
R342	1	GD05564140	560K Ω
R343	1	GD05470140	47 Ω
R344	1	GD05332140	3.3K Ω
R345	1	GD05103140	10K Ω
R347	1	GD05104140	100K Ω
R348	1	GD05102140	1K Ω
R349	1	RA04730070	47K Ω (B) Trimming
R350	1	GD05223140	22K Ω
R351	1	GD05333140	33K Ω
R352	1	GD05333140	33K Ω
R353	1	GD05104140	100K Ω
R354	1	GD05331140	330 Ω
R356	1	GD05332140	3.3K Ω
R357	1	GD05332140	3.3K Ω
R358	1	GD05332140	3.3K Ω
R359	1	GD05332140	3.3K Ω
R360	1	GD05103140	10K Ω
R361	1	GD05103140	10K Ω
R362	1	GD05561140	560 Ω
R363	1	GD05561140	560 Ω
R364	1	GD05332140	3.3K Ω
R365	1	GD05332140	3.3K Ω
R366	1	RA01040220	100K Ω (B) Trimming
R367	1	RA01040220	100K Ω (B) Trimming
R368	1	RA01040220	100K Ω (B) Trimming
R369	1	RA01040220	100K Ω (B) Trimming
R370	1	GG05510410	51 Ω
R371	1	GD05333140	33K Ω
R372	1	GD05333140	33K Ω
R373	1	GD05183140	18K Ω
R374	1	GD05224140	220K Ω
R375	1	GD05221140	220 Ω
R376	1	GG05510140	51 Ω
P300-SEMICONDUCTORS			
Q301	1	HC10029010	IC HA11223
Q302	1	HT309452A0	Transistor 2SC945(Q or R)
Q303	1	HT309452A0	Transistor 2SC945(Q or R)
Q304	1	HT309452A0	Transistor 2SC945(Q or R)
Q305	1	HT309452A0	Transistor 2SC945(Q or R)
Q306	1	HT309452A0	Transistor 2SC945(Q or R)
Q307	1	HD10003020	Diode 20A90
Q308	1	HD10003020	Diode 20A90
Q309	1	HT309452A0	Transistor 2SC945(Q or R)
Q310	1	HT108422A0	Transistor 2SA842(GR or BL)

REF. DESIG.	Q'TY	PART NO.	DESCRIPTION	
	F			
Q311	1	HT108422A0	Transistor	2SA842(GR or BL)
Q312	1	HT309452A0	Transistor	2SC945(Q or R)
Q313	1	HT309452A0	Transistor	2SC945(Q or R)
Q314	1	HD20011050	Diode	1S1555
Q315	1	HT309452A0	Transistor	2SC945(Q or R)
Q316	1	HT309452A0	Transistor	2SC945(Q or R)
Q317	1	HT309452A0	Transistor	2SC945(Q or R)
Q318	1	HT309452A0	Transistor	2SC945(Q or R)
Q319	1	HT309452A0	Transistor	2SC945(Q or R)
Q320	1	HD20011050	Diode	1S1555
Q321	1	HC10003090	IC	NSM4558D
Q322	1	HD20011050	Diode	1S1555
L301	1	LS35050010	M.P.X. Coil	
L302	1	LS35050010	M.P.X. Coil	
L303	1	LC21058010	Choke Coil	1mH
P800	1	YG22860030	P.W. Board, Power Supply	
P800-CAPACITORS				
C801	1	EA10635010	Elect	10 μ F 350V
C802	1	EA10635010	Elect	10 μ F 350V
C803	1	EA10625010	Elect	10 μ F 250V
C804	1	EA10625010	Elect	10 μ F 250V
C805	1	EA33502590	Elect	3.3 μ F 25V
C806	1	EA22702590	Elect	220 μ F 25V
C807	1	EB22802560	Elect	2200 μ F 25V
C808	1	EA10701690	Elect	100 μ F 25V
C809	1	EA47702590	Elect	470 μ F 25V
C810	1	EA47702590	Elect	470 μ F 25V
C811	1	EB22802560	Elect	2200 μ F 25V
C813	1	EA47702590	Elect	470 μ F 25V
C814	1	EA10702590	Elect	100 μ F 25V
C815	1	EA10701690	Elect	100 μ F 16V
C816	1	EA47701690	Elect	470 μ F 16V
C817	1	EA47601690	Elect	47 μ F 16V
C818	1	EA33502590	Elect	3.3 μ F 25V
C819	1	EA10701090	Elect	100 μ F 10V
C820	1	DK18103510	Ceramic	0.01 μ F 500V
C821	1	DK18103510	Ceramic	0.01 μ F 500V
C822	1	DK18103510	Ceramic	0.01 μ F 500V
P800-RESISTORS (All Resistors are $\pm 5\%$ and $\frac{1}{4}W$)				
R801	1	GG05472120		4.7K Ω $\frac{1}{4}W$
R802	1	GA05161010		160 Ω 1W
R803	1	GA05271010		270 Ω 1W
R804	1	GD05332140		3.3K Ω
R805	1	GD05473140		47K Ω
R806	1	GD05473140		47K Ω
R807	1	GD05331140		330 Ω
R808	1	GD05102140		1K Ω
R809	1	GA05151010		150 Ω 1W

REF. DESIG.	Q'TY	PART NO.	DESCRIPTION	
	F			
R810	1	GG05151140		150 Ω
R811	1	GG05151140		150 Ω
R812	1	GA05033020		3.3 Ω 2W
R813	1	GD05472140		4.7K Ω
R814	1	GD05751140		750 Ω
R815	1	GD05102140		1K Ω
R816	1	GD05222140		2.2K Ω
R817	1	GD05154140		150K Ω
R818	1	GD05101140		100 Ω
R819	1	GD05274140		270K Ω
R820	1	GD05100140		10 Ω
R821	1	GD05153140		15K Ω
R822	1	GD05473140		47K Ω
R823	1	GN10822030		0.82 Ω 3W
R824	1	GD05100140		10 Ω
P800-SEMICONDUCTORS				
Q801	1	HD20021100	Diode	2DL15
Q802	1	HD20014030	Diode	DS130YA
Q803	1	HD20014030	Diode	DS130YA
Q804	1	HD30027090	Zener	WZ140
Q805	1	HT403132A0	Transistor	2SD313(D or E)
Q806	1	HT309452A0	Transistor	2SC945(Q or R)
Q807	1	HT404002D0	Transistor	2SD400(E or F)
Q808	1	HT205442D0	Transistor	2SB544(E or F)
Q809	1	HD30052090	Zener	WZ056
Q810	1	HT205442D0	Transistor	2SB544(E or F)
Q811	1	HD30027090	Zener	WZ140
Q812	1	HD20005010	Diode	W06B
Q813	1	HD20005010	Diode	W06B
Q814	1	HD20011050	Diode	1S1555
Q815	1	HT309452A0	Transistor	2SC945(Q or R)
Q816	1	HT309452A0	Transistor	2SC945(Q or R)
Q817	1	HT309452A0	Transistor	2SC945(Q or R)
Q818	1	HT309452A0	Transistor	2SC945(Q or R)
Q819	1	HD20005010	Diode	W06B
P800-MISCELLANEOUS				
F801	1	FS10300060	Fuse	3A 250V
F802	1	FS10030020	Fuse	0.3A 250V
F803	1	FS10010080	Fuse	0.1A 250V
F804	1	FS10010080	Fuse	0.1A 250V
F805	1	FS10010080	Fuse	0.1A 250V
J801	1	YP06001310	Plug	(6P)
J823				
J832	10	YJ08000170	Jack, Fuse Holder	

REF. DESIG.	Q'TY	PART NO.	DESCRIPTION
	F		
P900	1	YK22190310	P.W. Board, Scope AMP.
P900-CAPACITORS			
C901	1	DK18103820	Ceramic 0.01 μ F 1KV
C902	1	DK18103820	Ceramic 0.01 μ F 1KV
C903	1	DF17473520	Film 0.047 μ F \pm 20% 200V
P900-RESISTORS			
(All Resistor are \pm 5% and $\frac{1}{4}$ W)			
R901	1	RT05224140	220K Ω
R902	1	RT05224140	220K Ω
R903	1	RT05224140	220K Ω
R904	1	RT05224140	220K Ω
R905	1	RT05682140	6.8K Ω
R906	1	RT05682140	6.8K Ω
R907	1	RT05222140	2.2K Ω
R908	1	RT05222140	2.2K Ω
R909	1	RT05103140	10K Ω
R910	1	RT05103140	10K Ω
R911	1	RT05103140	10K Ω
R912	1	RT05103140	10K Ω
R913	1	RT05683140	68K Ω
R914	1	RT05683140	68K Ω
R915	1	RT05623140	62K Ω
R916	1	RT05623140	62K Ω
R917	1	RT05823140	82K Ω
R918	1	RT05204140	200K Ω
R919	1	RT05105140	1M Ω
R920	1	RT05105140	1M Ω
R921	1	RT05224140	220K Ω
R922	1	RT05155140	1.5M Ω
R923	1	RT05153140	15K Ω
R924	1	RT05473140	47K Ω
R925	1	RA01030250	10K Ω Trimming
R926	1	RA01030250	10K Ω Trimming
R927	1	RA01020150	1K Ω Trimming
R928	1	RA01020150	1K Ω Trimming
R929	1	RT05204140	200K Ω
R930	1	RT05152140	1.5K Ω
R931	1	RA01030070	10K Ω Trimming
R932	1	RT05473140	47K Ω
P900-SEMICONDUCTORS			
Q901	1	HF200304A0	F.E.T. 2SK30A
Q902	1	HF200304A0	F.E.T. 2SK30A
Q903	1	HF200304A0	F.E.T. 2SK30A
Q904	1	HF200304A0	F.E.T. 2SK30A
Q905	1	HT317562B0	Transistor 2SC1756(D or E)
Q906	1	HT317562B0	Transistor 2SC1756(D or E)
Q907	1	HT317562B0	Transistor 2SC1756(D or E)
Q908	1	HT317562B0	Transistor 2SC1756(D or E)
Q909	1	HD20003210	Diode 1SC2471
Q910	1	HD20003210	Diode 1SC2471
Q911	1	HD20001210	Diode 1SC2473

REF. DESIG.	Q'TY	PART NO.	DESCRIPTION
	F		
P99-MISCELLANEOUS			
J901	1	YP06001630	Plug (8P)
J902	1	YP06001050	Plug (5P)
J903	1	YP06001050	Plug (5P)
J904	1	YB00140030	Connective Cord.
J905	1	YB00180010	Connective Cord.
J906	1	YB00140030	Connective Cord.
J907	1	YB00120010	Connective Cord.
J908	1	YB00140040	Connective Cord.
J909	1	YB00150010	Connective Cord.
J910	1	YB00180020	Connective Cord.
J911	1	YB00200290	Connective Cord.
J912	1	YB00180030	Connective Cord.
J913	1	YB00210010	Connective Cord.
J914	1	YJ06001310	Jack (6P)
PC50	1	YK22860220	P.W. Board, Quartz Lock
PC50-CAPACITORS			
CC51	1	DK18403320	Ceramic 0.04 μ F +100% -0
CC52	1	DK18223310	Ceramic 0.022 μ F +100% -0
CC53	1	DK18223310	Ceramic 0.022 μ F +100% -0
CC54	1	DK18223310	Ceramic 0.022 μ F +100% -0
CC56	1	DD15470300	Ceramic 47pF \pm 5%
CC57	1	DK18403320	Ceramic 0.04 μ F +100% -0
CC58	1	EA47601090	Elect 47 μ F 10V
CC59	1	EQ22505020	Elect 2.2 μ F 50V
CC61	1	DF16224050	Film 0.22 μ F \pm 10%
PC50-RESISTORS			
(All Resistors are \pm 5% and $\frac{1}{4}$ W)			
RC51	1	GD05123140	12K Ω
RC52	1	GD05562140	5.6K Ω
RC53	1	GD05102140	1K Ω
RC54	1	GD05224140	220K Ω
RC55	1	GD05182140	1.8K Ω
RC56	1	GD05223140	22K Ω
RC57	1	GD05104140	100K Ω
RC58	1	GD05222140	2.2K Ω
RC59	1	GD05223140	22K Ω
RC60	1	GD05103140	10K Ω
RC61	1	GD05104140	100K Ω
RC62	1	GD05223140	22K Ω
RC63	1	GD05334140	330K Ω
RC64	1	GD05473140	47K Ω
RC65	1	GD05332140	3.3K Ω
RC66	1	GD05104140	100K Ω
RC67	1	GD05334140	330K Ω
RC68	1	GD05104140	100K Ω
RC70	1	GD05391140	390 Ω
RC71	1	GD05102140	1K Ω
RC72	1	GD05623140	62K Ω

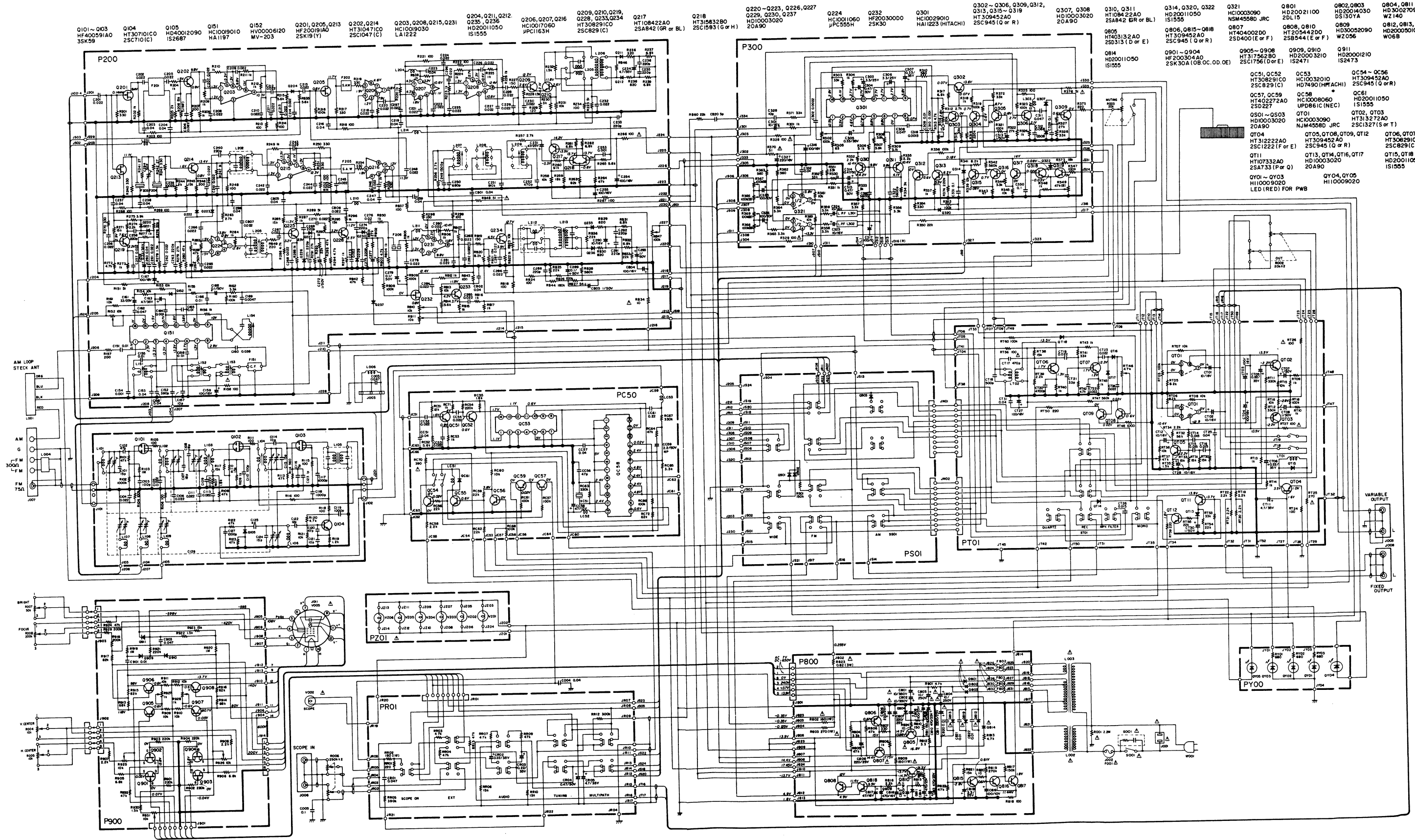
REF. DESIG.	Q'TY	PART NO.	DESCRIPTION
	F		
PC50-SEMICONDUCTORS			
QC51	1	HT308291C0	Transistor 2SC829(C)
QC52	1	HT308291C0	Transistor 2SC829(C)
QC53	1	HC10032010	IC HD7490
QC54	1	HT309452A0	Transistor 2SC945(Q or R)
QC55	1	HT309452A0	Transistor 2SC945(Q or R)
QC56	1	HT309452A0	Transistor 2SC945(Q or R)
QC57	1	HT402272A0	Transistor 2SD227
QC58	1	HC10008060	IC μ PD861C
QC59	1	HT402272A0	Transistor 2SD227
QC61	1	HD20011050	Diode 1S1555
PC50-MISCELLANEOUS			
LC51	1	LY20120200	Relay
LC52	1	LC13320020	Choke Coil 3.3 μ H
LC53	1	LC13320020	Choke Coil 3.3 μ H
XC51	1	XA104101L2	Crystal 10.24MHz
PR00	1	YK22861210	P.W. Board, Scope Switch
PR00-CAPACITORS			
CR01	1	DF17473050	Film 0.047 μ F \pm 20%
CR02	1	EV22403560	Elect 0.22 μ F 35V
CR03	1	EV22403560	Elect 0.22 μ F 35V
CR04	1	EE47405040	Elect 0.47 μ F 50V
CR05	1	EA47503590	Elect 4.7 μ F 35V
PR00-RESISTORS (All Resistors are \pm 5% and $\frac{1}{2}$ W)			
RR01	1	GD05221140	220 Ω
RR02	1	GA05181010	180 Ω 1W
RR03	1	GD05473140	47K Ω
RR04	1	GD05473140	47K Ω
RR05	1	GD05394140	390K Ω
RR06	1	GD05153140	15K Ω
RR07	1	GD05473140	47K Ω
RR08	1	GD05473140	47K Ω
RR09	1	GD05473140	47K Ω
RR10	1	GD05153140	15K Ω
RR11	1	GD05103140	10K Ω
RR12	1	GD05304140	300K Ω
RR13	1	GD05473140	47K Ω
PR00-MISCELLANEOUS			
JR01	1	YJ06001330	Jack (8P)
SR01	1	SP04050190	Push Switch, Scope

REF. DESIG.	Q'TY	PART NO.	DESCRIPTION
	F		
PS00	1	YK22860410	P.W. Board, AM/FM/Wide Switch
PS00-CAPACITOR			
CS01	1	EA10601690	Elect 10 μ F 16V
PS00-RESISTORS			
RS01	1	GD05154140	150K Ω \pm 5% $\frac{1}{4}$ W
PS00-SEMICONDUCTORS			
QS01	1	HD10003020	Diode 20A90
QS02	1	HD10003020	Diode 20A90
QS03	1	HD10003020	Diode 20A90
PS00-SWITCH			
SS01	1	SP08030070	Push Switch, Function
PT00	1	YG24910010	P.W. Board, Mode Switch
PT00-CAPACITORS			
CT01	1	EA10601690	Elect 10 μ F 16V
CT02	1	EA10601690	Elect 10 μ F 16V
CT03	1	EA10701690	Elect 100 μ F 16V
CT04	1	EA10701690	Elect 100 μ F 16V
CT05	1	EV22403560	Elect 0.22 μ F 35V
CT06	1	EV22403560	Elect 0.22 μ F 35V
CT07	1	EA10505090	Elect 1 μ F 50V
CT08	1	EA10505090	Elect 1 μ F 50V
CT11	1	EA47503590	Elect 4.7 μ F 35V
CT12	1	EA10601690	Elect 10 μ F 16V
CT14	1	DF15153300	Film 0.015 μ F \pm 5%
CT15	1	DF15153300	Film 0.015 μ F \pm 5%
CT16	1	DF15153300	Film 0.015 μ F \pm 5%
CT17	1	DK16471300	Ceramic 470pF \pm 10%
CT18	1	DF65501010	Film 500pF \pm 5%
CT19	1	DK18223310	Ceramic 0.022 μ F +100%—0
CT20	1	DF15472300	Film 0.0047 μ F \pm 5%
CT21	1	DD15330370	Ceramic 33pF \pm 5%
CT22	1	DK18223310	Ceramic 0.022 μ F +100%—0
CT23	1	DK18223310	Ceramic 0.022 μ F +100%—0
CT24	1	DK18223310	Ceramic 0.022 μ F +100%—0
CT25	1	DK18403320	Ceramic 0.04 μ F +100%—0
CT26	1	DF16153300	Film 0.015 μ F \pm 10%
CT27	1	EA10701690	Elect 100 μ F 16V
CT28	1	EA10601690	Elect 10 μ F 16V
CT30	1	EA10505090	Elect 1 μ F 50V
CT31	1	DK18403320	Ceramic 0.04 μ F +100%—0

REF. DESIG.	Q'TY	PART NO.	DESCRIPTION
	F		
PT00-RESISTORS (All Resistors are ±5% and ¼W)			
RT01	1	GD05105140	1MΩ
RT02	1	GD05105140	1MΩ
RT03	1	GD05104140	100KΩ
RT04	1	GD05104140	100KΩ
RT05	1	GD05822140	8.2KΩ
RT06	1	GD05822140	8.2KΩ
RT07	1	GD05103140	10KΩ
RT08	1	GD05103140	10KΩ
RT09	1	GD05102140	1KΩ
RT10	1	GD05102140	1KΩ
RT11	1	GD05334140	330KΩ
RT12	1	GD05334140	330KΩ
RT13	1	GD05102140	1KΩ
RT14	1	GD05102140	1KΩ
RT15	1	GD05103140	10KΩ
RT16	1	GD05103140	10KΩ
RT17	1	GD05104140	100KΩ
RT18	1	GD05104140	100KΩ
RT19	1	GD05222140	2.2KΩ
RT20	1	GD05222140	2.2KΩ
RT21	1	GD05222140	2.2KΩ
RT22	1	GD05222140	2.2KΩ
RT24	1	GD05101140	100Ω
RT25	1	GG05271140	270Ω
RT26	1	GG05101140	100Ω
RT27	1	GG05101140	100Ω
RT30	1	GD05153140	15KΩ
RT31	1	GD05153140	15KΩ
RT32	1	GD05563140	56KΩ
RT33	1	GD05153140	15KΩ
RT34	1	GD05222140	2.2KΩ
RT35	1	GD05152140	1.5KΩ
RT36	1	GD05103140	10KΩ
RT37	1	RA04730070	47KΩ(B) Trimming
RT38	1	GD05153140	15KΩ
RT39	1	GD05222140	2.2KΩ
RT40	1	GD05102140	1KΩ
RT41	1	GD05333140	33KΩ
RT42	1	GD05472140	4.7KΩ
RT43	1	GD05102140	1KΩ
RT45	1	GD05102140	1KΩ
RT46	1	RA04730070	47KΩ(B) Trimming
RT47	1	GD05564140	560KΩ
RT48	1	GD05101140	100Ω
RT50	1	GD05221140	220Ω
RT53	1	GD05333140	33KΩ
RT54	1	GD05223140	22KΩ
RT55	1	GD05223140	22KΩ
RT56	1	GG05101140	100Ω
RT58	1	GD05154140	150KΩ
RT59	1	GD05221140	220Ω
RT60	1	GD05104140	100KΩ

REF. DESIG.	Q'TY	PART NO.	DESCRIPTION
	F		
PT00-SEMICONDUCTORS			
QT01	1	HC10003090	IC NJM4558D
QT02	1	HT313272A0	Transistor 2SC1327(S or T)
QT03	1	HT313272A0	Transistor 2SC1327(S or T)
QT04	1	HT312222A0	Transistor 2SC1222(F or E)
QT05	1	HT309452A0	Transistor 2SC945(Q or R)
QT06	1	HT308291C0	Transistor 2SC829(C)
QT07	1	HT308291C0	Transistor 2SC829(C)
QT08	1	HT309452A0	Transistor 2SC945(Q or R)
QT09	1	HT309452A0	Transistor 2SC945(Q or R)
QT11	1	HT107332A0	Transistor 2SA733(P or Q)
QT12	1	HT309452A0	Transistor 2SC945(Q or R)
QT13	1	HD10003020	Diode 20A90
QT14	1	HD10003020	Diode 20A90
QT15	1	HD20011050	Diode 1S1555
QT16	1	HD10003020	Diode 20A90
QT17	1	HD10003020	Diode 20A90
QT18	1	HD20011050	Diode 1S1555
PT00-MISCELLANEOUS			
LT01	1	YL20120200	Relay
LT02	1	LO71010070	OSC Coil
ST01	1	SP06040050	Push Switch, Mode
PY00	1	YK24910020	P.W. Board, LED
PY00-RESISTORS			
RY01	1	GD05681140	680Ω ±5% ¼W
RY02	1	GD05681140	680Ω ±5% ¼W
RY03	1	GD05681140	680Ω ±5% ¼W
PY00-SEMICONDUCTORS			
QY01	1	HI10004030	L.E.D.
QY02	1	HI10004030	L.E.D.
QY03	1	HI10004030	L.E.D.
QY04	1	HI10004030	L.E.D.
QY05	1	HI10004030	L.E.D.
PZ01	1	YF22860020	P.W. Board, Dial Illuminator
JZ03	?	YJ08000170	Jack
JZ14	?		
VZ01	?		
VZ06	6	IN10080070	Dial Lamp 0.2A 8V

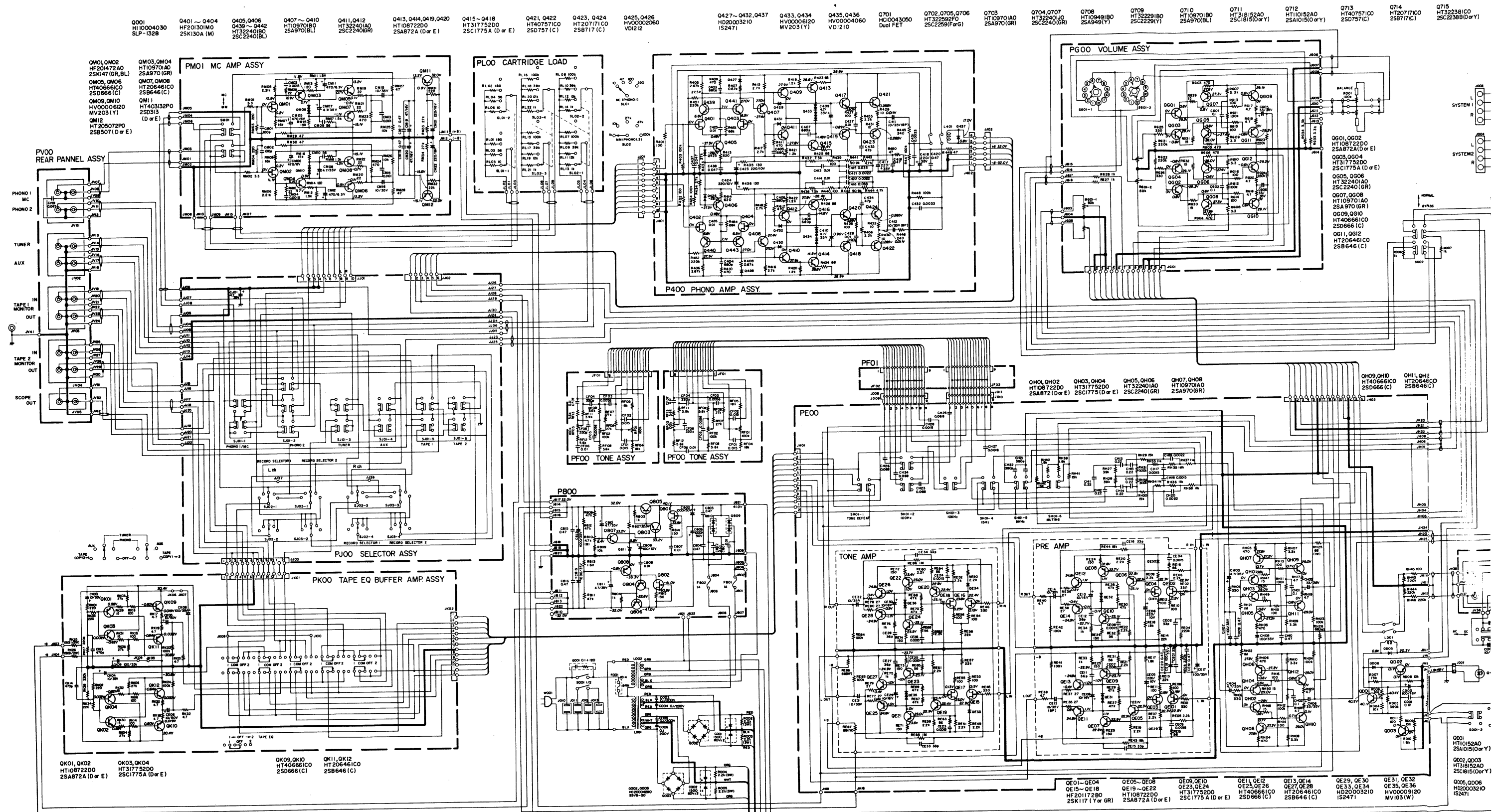
(W01-99)	Assembly and Wiring
(T01-99)	Adjustment
(X01-00)	Correction



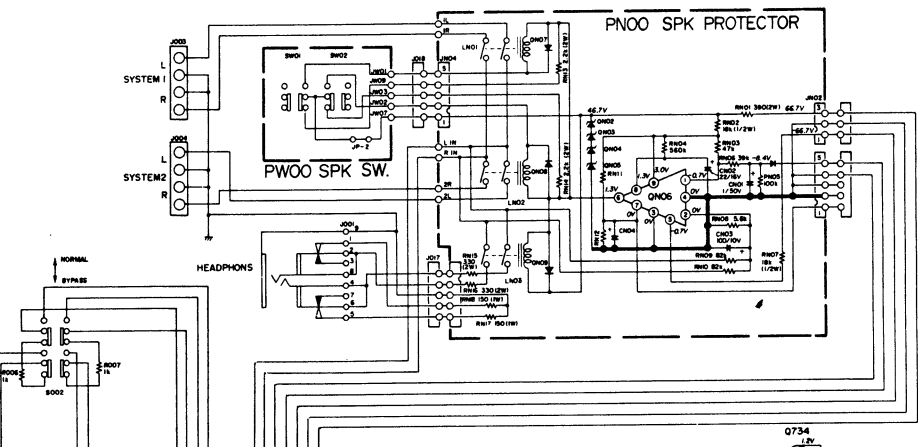
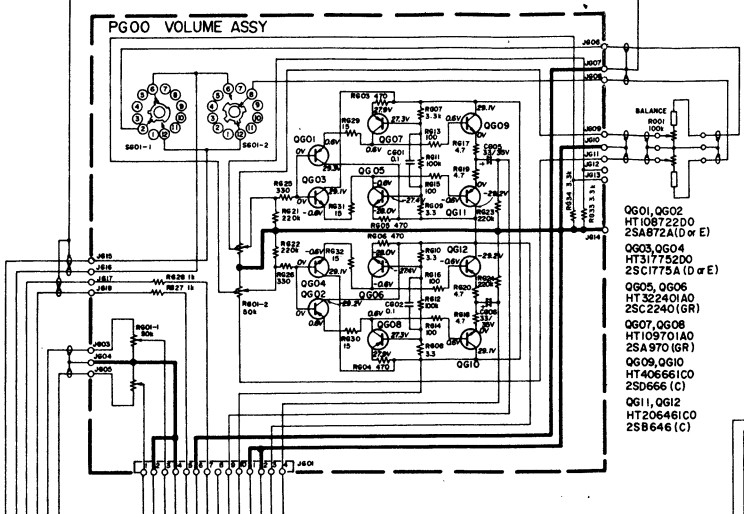
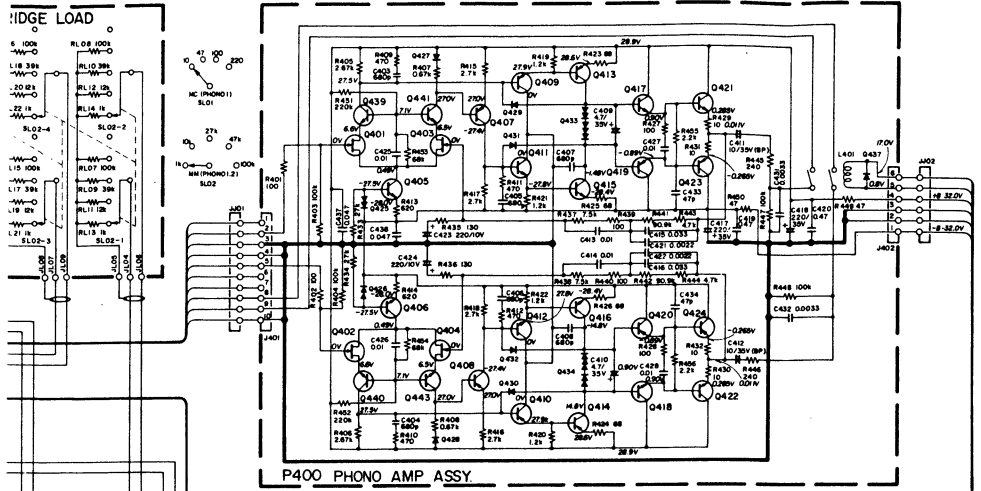
Q101~Q103 HF400591A0 35K59
 Q104 HT30701C0 25C710(C)
 Q105 HD40012090 IS2687
 Q151 HC1009010 HA1197
 Q152 HV00006120 MV-203
 Q201, Q205, Q213 HF200191A0 25K19(V)
 Q202, Q214 HT310471C0 25C1047(C)
 Q203, Q208, Q215, Q231 HC1009030 LA1222
 Q204, Q211, Q212 Q235, Q236 HD2001050 IS1555
 Q206, Q207, Q216 HC10017060 JPC1163H
 Q209, Q210, Q219, Q228, Q233, Q234 HT308291C0 25C829(C)
 Q217 HT108422A0 25A842(GR or BL)
 Q218 HT319832B0 25C19831(G or H)
 Q220~Q223, Q226, Q227 Q229, Q230, Q237 HD10003020 20A90
 Q224 HC1001060 JPC555H
 Q232 HF20030000 25K30
 Q301 HC10029010 HA11223(HITACHI)
 Q302~Q306, Q309, Q312, Q313, Q315~Q319 HT309452A0 25C945(Q or R)
 Q307, Q308 HD10003020 20A90
 Q310, Q311 HT108422A0 25A842(GR or BL)
 Q312 HT4003132A0 25D313(D or E)
 Q314, Q320, Q322 HD20011050 IS1555
 Q321 HC1003090 NSM4558D JRC
 Q801 HD20021100 2DL15
 Q806, Q815~Q818 HT309452A0 25C945(Q or R)
 Q807 HT404002D0 25D400(E or F)
 Q808, Q810 HT205442D0 25B544(E or F)
 Q809 HD30052090 WZ056
 Q901~Q904 HT317562B0 25K30A(10B, OC, OD, OE)
 Q905~Q908 HT317562B0 25C1756(D or E)
 Q909, Q910 HD20003210 IS2471
 Q911 HD20002120 IS2473
 Q912, Q913, Q919 HT309452A0 25C945(Q or R)
 Q914, Q915, Q916 HT309452A0 25C945(Q or R)
 Q917 HT313272A0 25C1327(S or T)
 Q918 HD20011050 IS1555
 Q919, Q920 HT309452A0 25C945(Q or R)
 Q921 HT313272A0 25C1327(S or T)
 Q922 HT313272A0 25C1327(S or T)
 Q923 HT313272A0 25C1327(S or T)
 Q924 HT313272A0 25C1327(S or T)
 Q925 HT313272A0 25C1327(S or T)
 Q926 HT313272A0 25C1327(S or T)
 Q927 HT313272A0 25C1327(S or T)
 Q928 HT313272A0 25C1327(S or T)
 Q929 HT313272A0 25C1327(S or T)
 Q930 HT313272A0 25C1327(S or T)
 Q931 HT313272A0 25C1327(S or T)
 Q932 HT313272A0 25C1327(S or T)
 Q933 HT313272A0 25C1327(S or T)
 Q934 HT313272A0 25C1327(S or T)
 Q935 HT313272A0 25C1327(S or T)
 Q936 HT313272A0 25C1327(S or T)
 Q937 HT313272A0 25C1327(S or T)
 Q938 HT313272A0 25C1327(S or T)
 Q939 HT313272A0 25C1327(S or T)
 Q940 HT313272A0 25C1327(S or T)
 Q941 HT313272A0 25C1327(S or T)
 Q942 HT313272A0 25C1327(S or T)
 Q943 HT313272A0 25C1327(S or T)
 Q944 HT313272A0 25C1327(S or T)
 Q945 HT313272A0 25C1327(S or T)
 Q946 HT313272A0 25C1327(S or T)
 Q947 HT313272A0 25C1327(S or T)
 Q948 HT313272A0 25C1327(S or T)
 Q949 HT313272A0 25C1327(S or T)
 Q950 HT313272A0 25C1327(S or T)

Q51, Q52 HT308291C0 25C829(C)
 Q57, Q59 HT402272A0 25D227
 Q501~Q503 HD10003020 20A90
 Q404 HT312222A0 25C1222(F or E)
 Q411 HT107332A0 25A733(F or Q)
 Q401~Q403 HI10009020 LED (RED) FOR PWB
 Q53 HC10032010 HD7490(HITACHI)
 Q58 HC1008060 UPD861C(NEC)
 Q701 HC1003090 NUM4558D JRC
 Q705, Q706, Q709, Q712 HT309452A0 25C945(Q or R)
 Q713, Q714, Q716, Q717 HD10003020 20A90
 Q704, Q707 HT308291C0 25C829(C)
 Q715, Q718 HD20011050 IS1555
 Q706, Q707 HT308291C0 25C829(C)
 Q715, Q718 HD20011050 IS1555

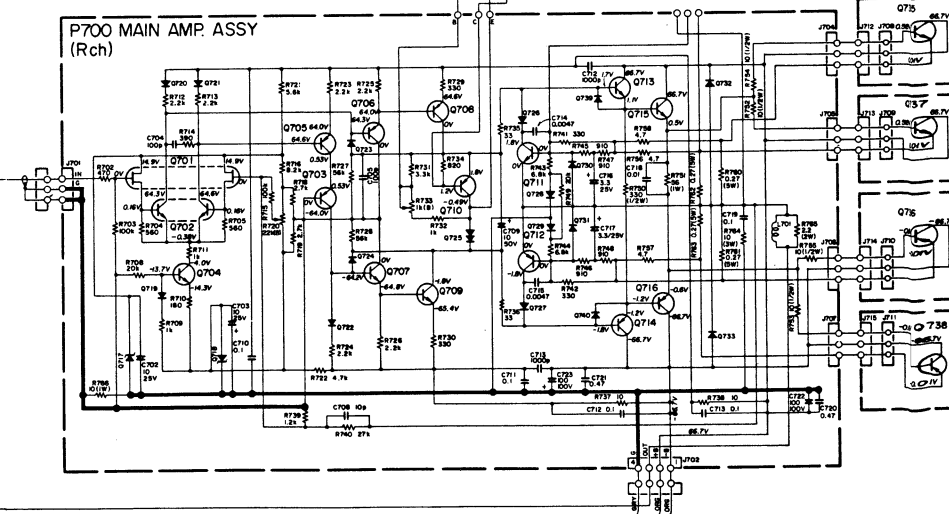
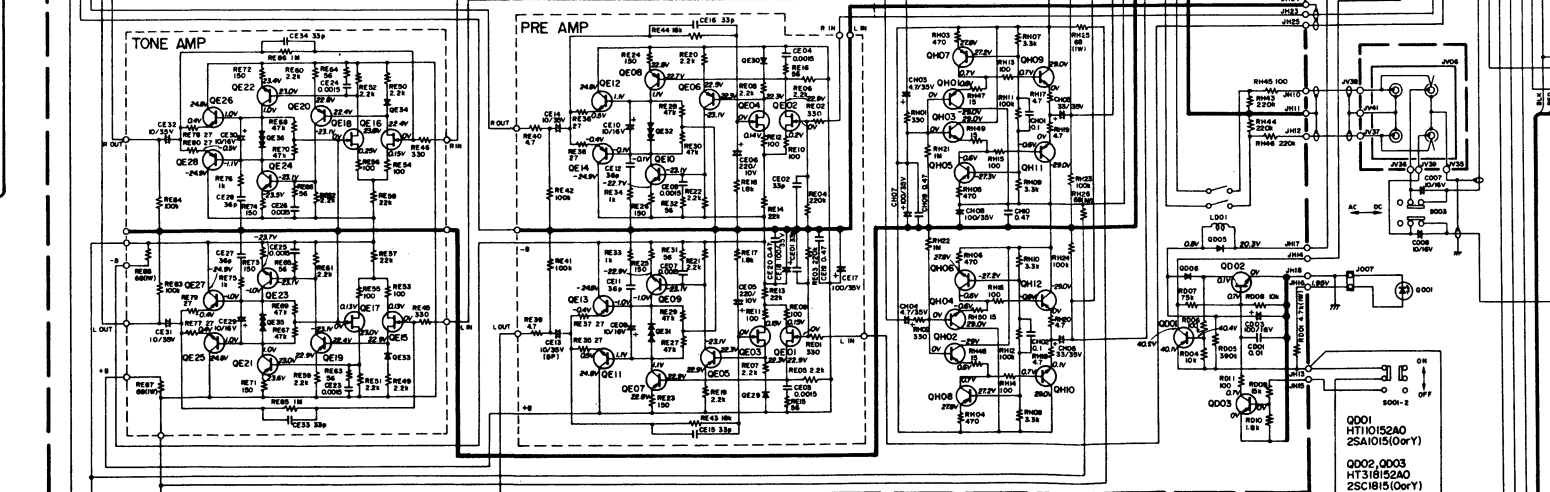
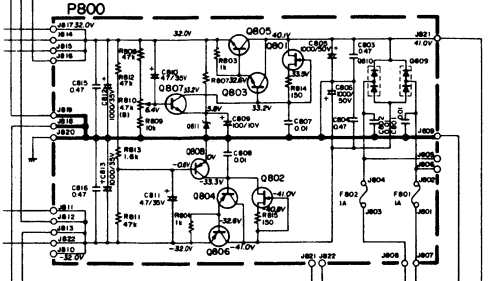
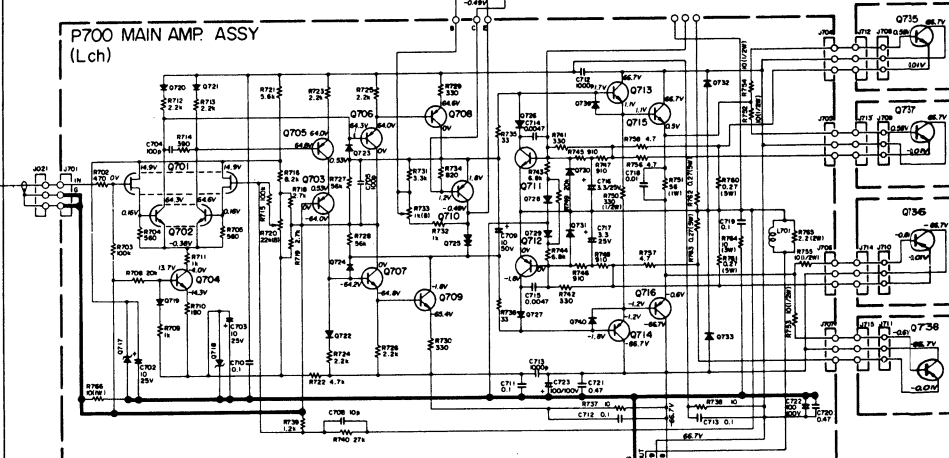
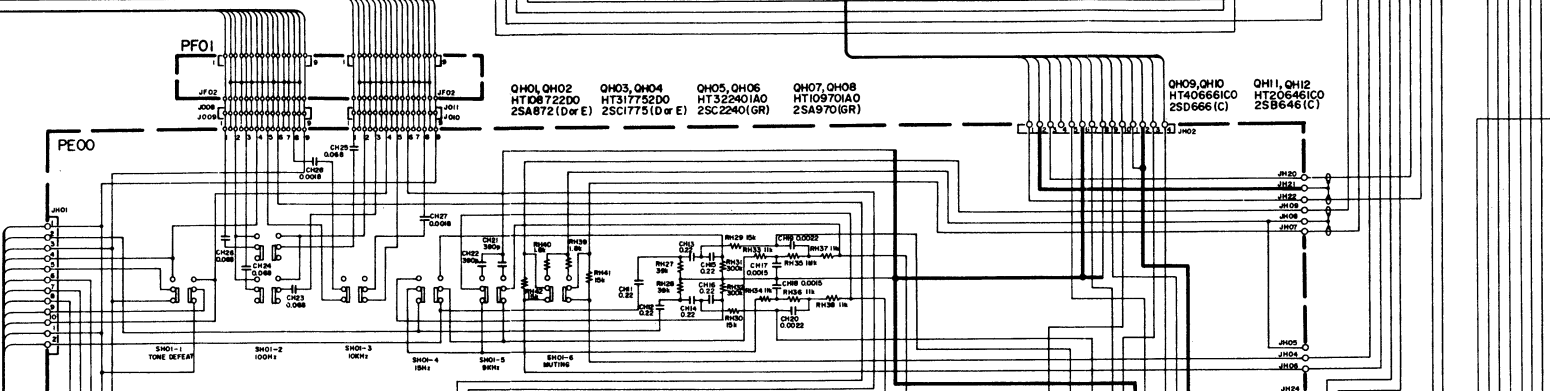
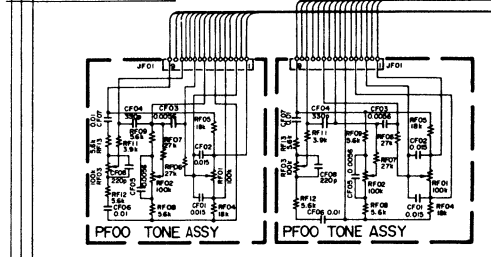
回路図



- Q421, Q422 HT40757(C)
- Q423, Q424 HT20717(C)
- Q425, Q426 HV00002060 VD1212
- Q427~Q432, Q437 HD20003210 IS2471
- Q433, Q434 HV00006120 MV203(Y)
- Q435, Q436 HV00004060 VD1210
- Q701 P10043050 Dual FET
- Q702, Q705, Q706 HT32299(F)
- Q703 HT09701A0 2SA970(GR)
- Q704, Q707 HT32240(A) 2SC2240(GR)
- Q708 HT10949(B) 2SA949(Y)
- Q709 HT32229(B) 2SC2229(Y)
- Q710 HT10970(B) 2SA970(BL)
- Q711 HT318152A0 2SC1815(O or Y)
- Q712 HT110152A0 2SA1015(O or Y)
- Q713 HT40757(C) 2SD757(C)
- Q714 HT20717(C) 2SB717(C)
- Q715 HT32238(C) 2SC2238(O or Y)
- Q716 HT10968(C) 2SA968(O or Y)
- Q717, Q718 HD30025090 WZ-150
- Q719 ~ Q722 HD20003210 IS2471
- Q723, Q724 HD20001020 IS24716
- Q725 HV00002120 SV-3A
- Q726, Q727 Q736, Q740 HD20001210 IS2473
- Q732, Q733 HD20011010 W06C
- Q734 HT31568150 2SC1568(S)
- Q735, Q737 HT31568340 2SC2589(O, R or S)
- Q736 HT11033A0 2SA1109(G, R or S)



- Q801, Q802 HF20030(C) 2SK30A(Y)
- Q803 HT31509100 2SC1509(O)
- Q804 HT10771(Q) 2SA771(Q)
- Q805 HT403132P0 2SD313(O or E)
- Q806 HT325072P0 2SB507(O or E)
- Q807 HT32402A0 2SC2240(GR or BL)
- Q808 HT10970A0 2SA970(GR or BL)
- Q809, Q810 HE1000130 05133B-L
- Q811 HD30008010 HZ-6L(B)



- Q901, Q902 HT108722D0 2SA872(O or E)
- Q903, Q904 HT317752D0 2SC1775(O or E)
- Q905, Q906 HT32240(A) 2SC2240(GR)
- Q907, Q908 HT10970(A) 2SA970(GR)
- Q909, Q910 HT40666(C) 2SD666(C)
- Q911, Q912 HT20646(C) 2SB646(C)
- QE01~QE04 HF20172B0 2SK117(Y or GR)
- QE05~QE08 HT108722D0 2SA872(A or E)
- QE09, QE10 HT317752D0 2SC1775(A or E)
- QE11, QE12 HT40666(C) 2SD666(C)
- QE13, QE14 HT20646(C) 2SB646(C)
- QE29, QE30 HD20003210 IS2471
- QE31, QE32 HV0000120 MV103(W)
- Q001 HT110152A0 2SA1015(O or Y)
- Q002, Q003 HT318152A0 2SC1815(O or Y)
- Q005, Q006 HD20003210 IS2471